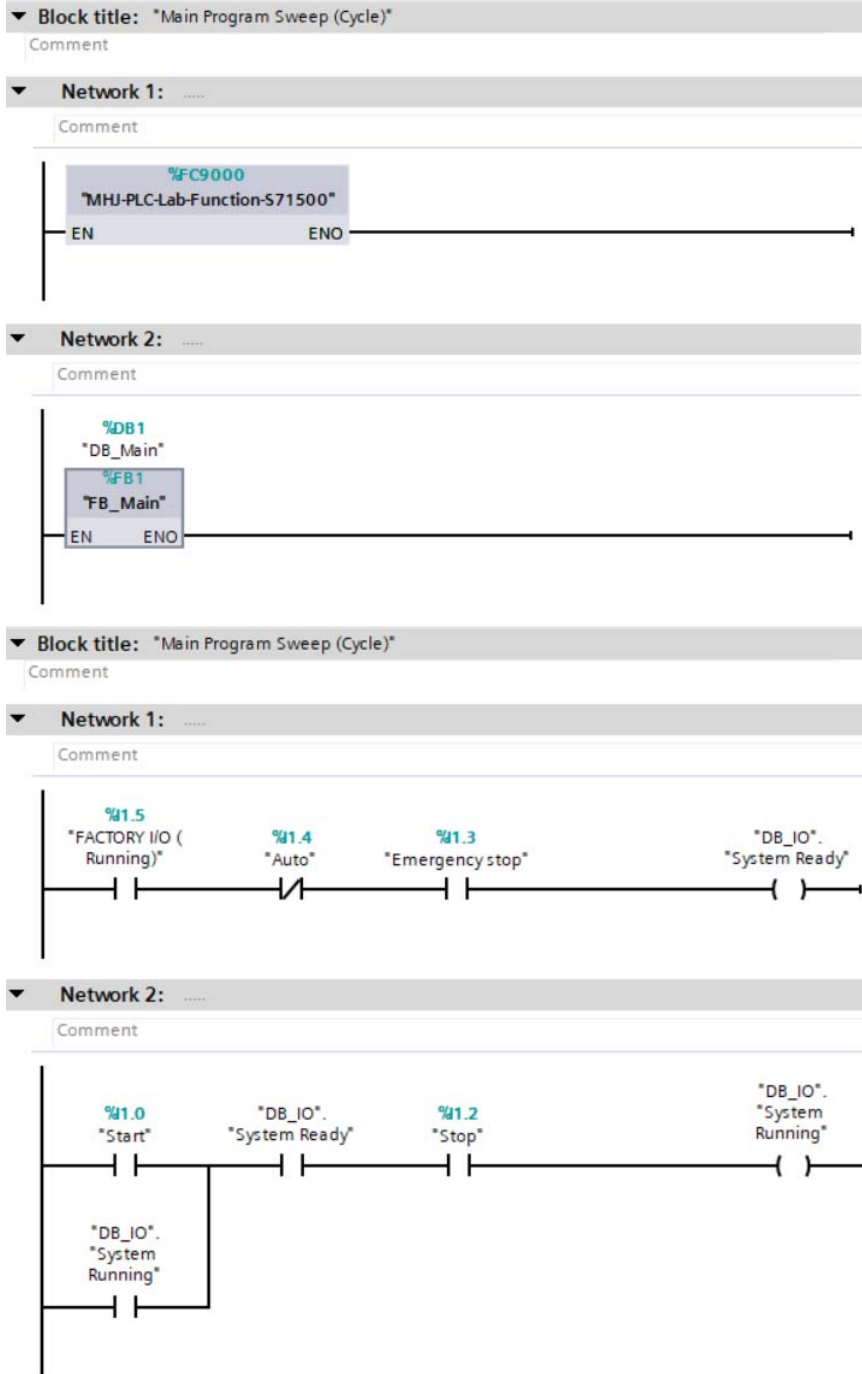


4.2 The Ladder Logic Diagram of a Palletizing Process in industrial automation

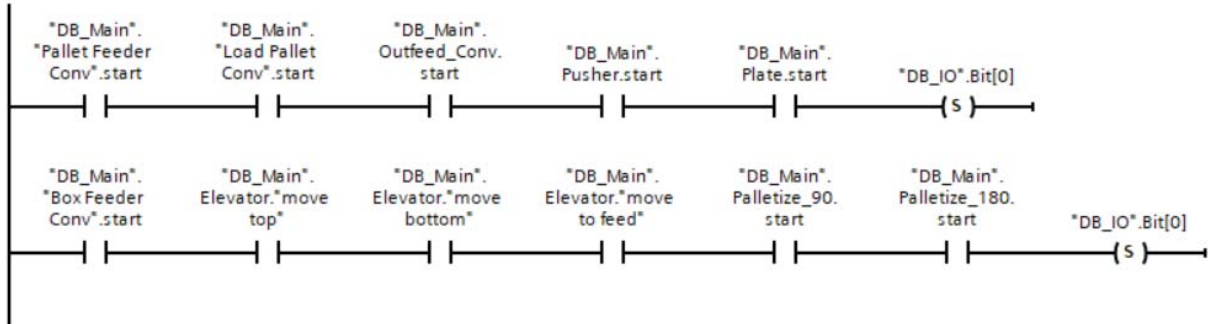


▼ **Block title:**

Comment

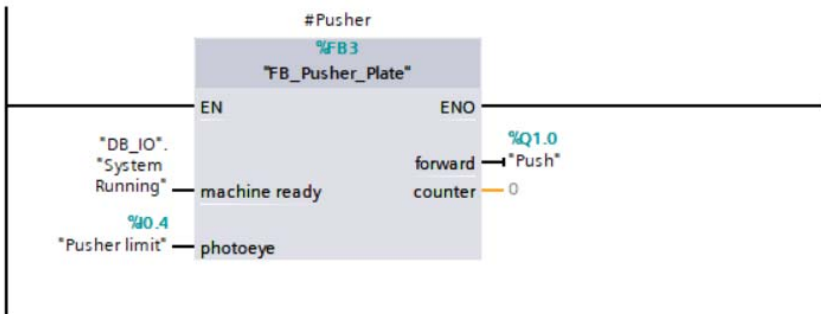
▼ **Network 1:** MANUAL FUNCTIONS FOR TESTING ONLY

Comment



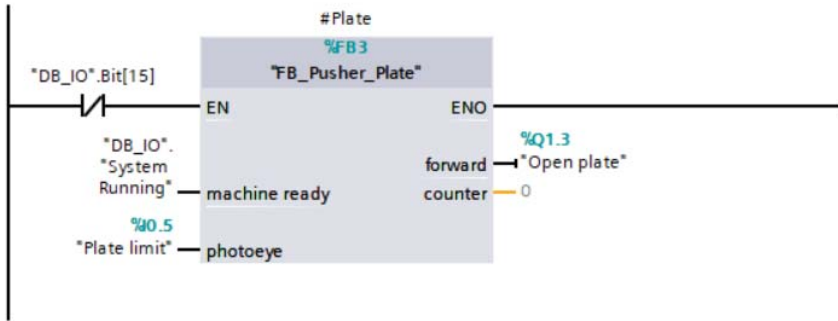
▼ **Network 2:**

Comment



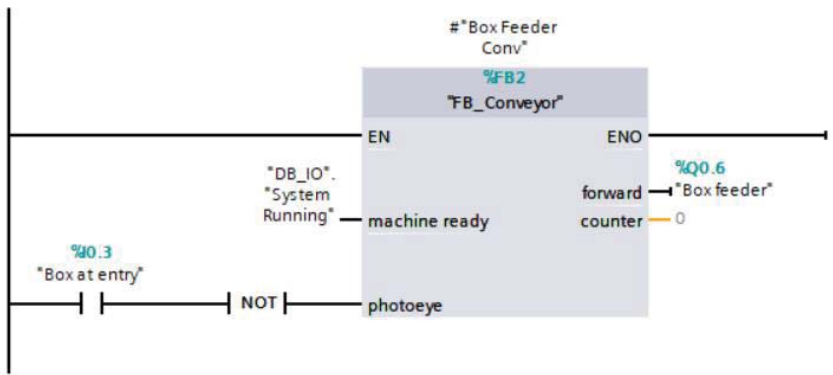
▼ **Network 3:**

Comment



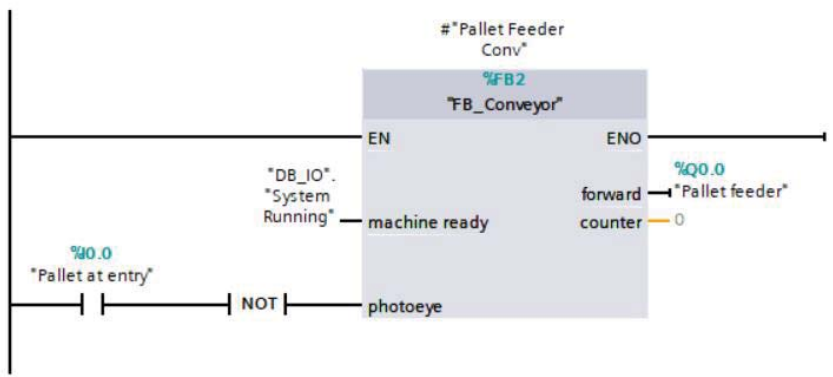
▼ Network 4:

Comment



▼ Network 5:

Comment



▼ Network 6:

Comment

