

Q1/ The main parts of the galvanometer are:

1.
2.
3.

1.5 mark

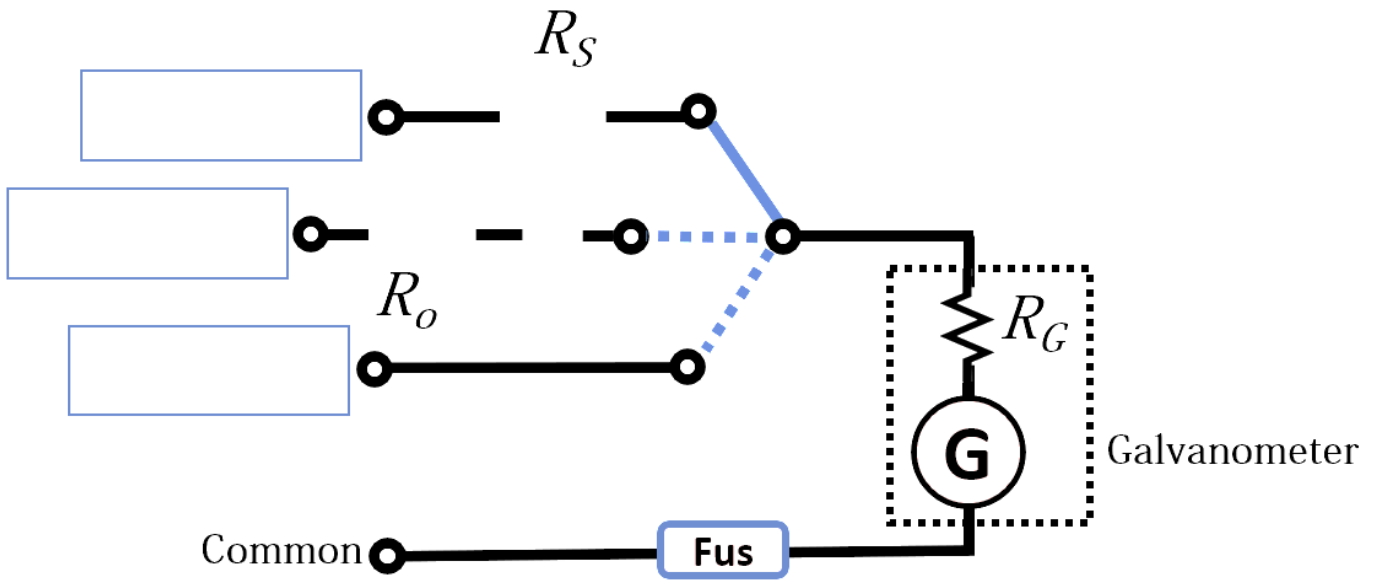
Q1/ The main parts of the galvanometer are:

1.
2.
3.

1.5 mark

Q2/Write the missing parts of the electric circuit of the shown Multimeter:

3.5 mark



Q2/Write the missing parts of the electric circuit of the shown Multimeter:

3.5 mark

