



Ministry of Higher Education
& Scientific Research
Salahuddin University-Erbil
College of Education
Department of Physics

Subject: **Instrumentation Physics**

Stage: 4th

Date : Saturday 30/03/2024

Time: 10:00-11:00

Mid-term Examination 2022-2023



Q1// Fill in the blanks with appropriate words:

(3 Marks)

- 1- The galvanometer used in a as detector
- 2- is used in circuit to check whether the circuit is working properly or not.
- 3- Voltmeter is used to check the input and output voltage of various equipment such as,
- 4- The is used for precise measurements of the radius of of either sphere or a curved surface.

Q2// What is the only disadvantage of Clamp Meter?

(1 Marks)

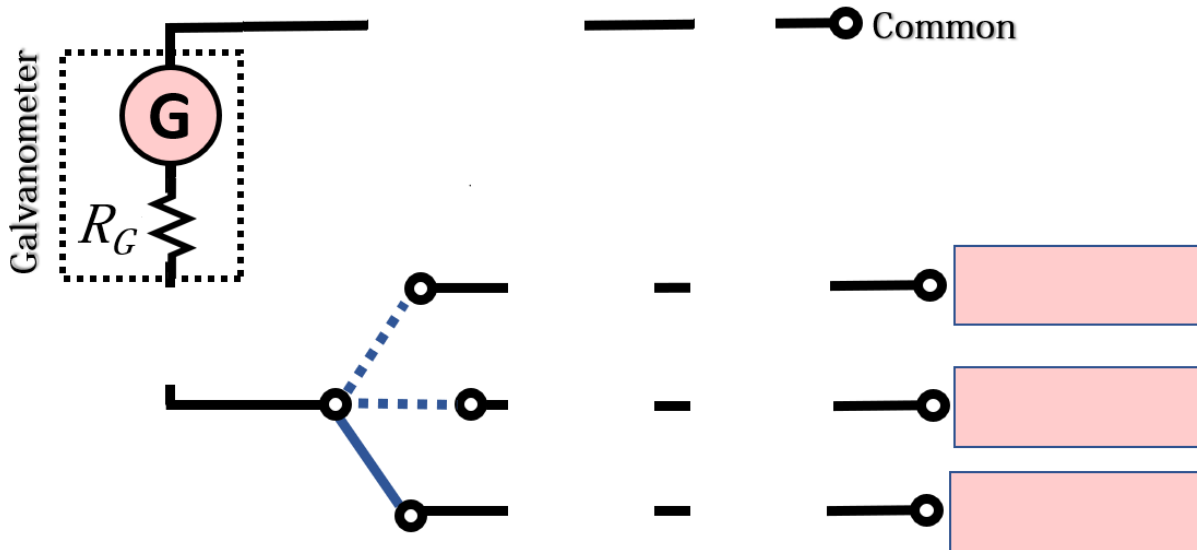
Q3// Write the **description only** of the following symbols:

(3 Marks)

No.	Symbols	Description
1		
2		
3		

Q4// Draw the missing parts and write the name of the three instruments

(4 Marks)



Q5// Explain the following:

(2 Marks)

A) Never connect an **ohmmeter** to a live circuit.

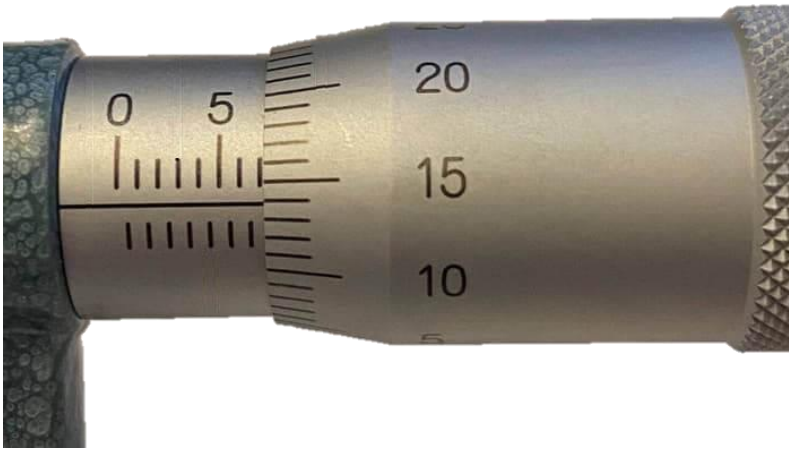
B) The scale of an **ohmmeter** differs from that of an **ammeter** or **voltmeter**, in **two** very important ways.

1.

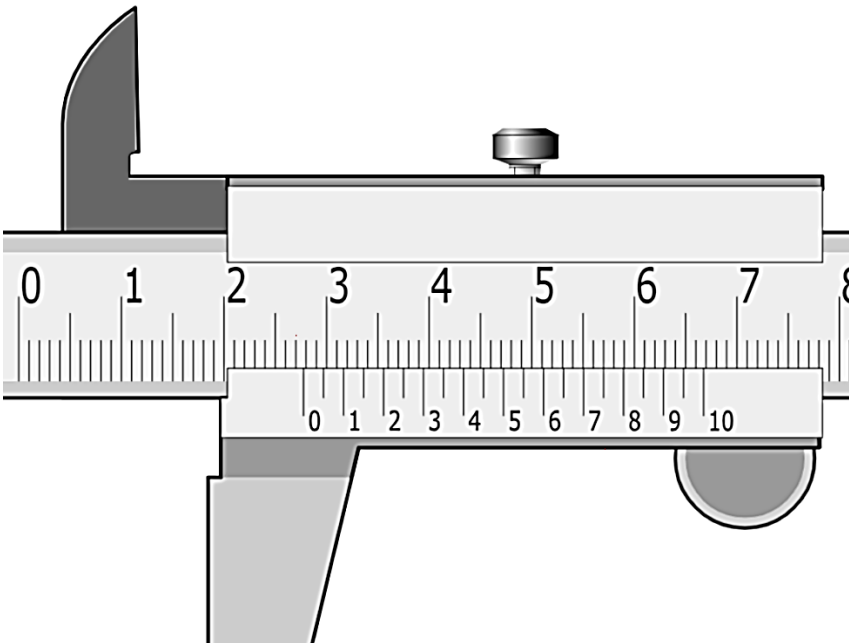
2.

Q6//Write the **reads** and the **units** of the following instruments:

(2 Marks)



Result ()



Result ()



Best of luck for your exam

Dr.Kasim Fawzy Ahmed