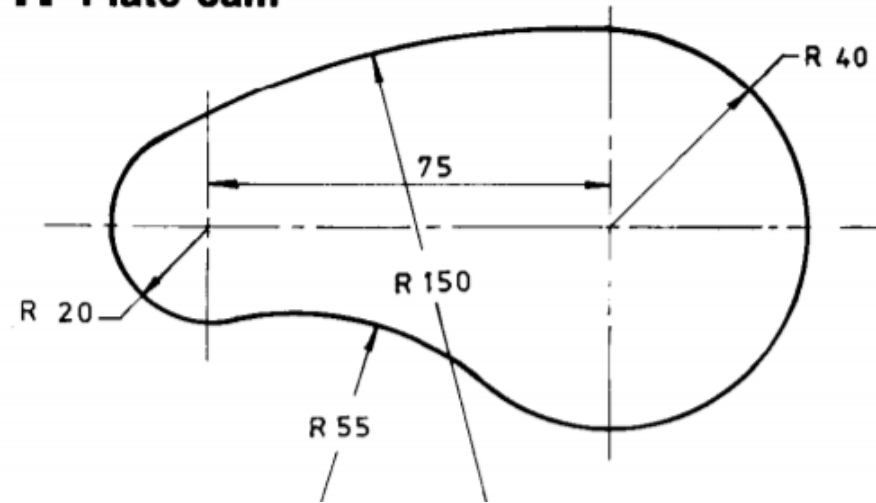


Fig. 3.11 Principles of linear dimensioning

1. Plate cam



3. File handle

