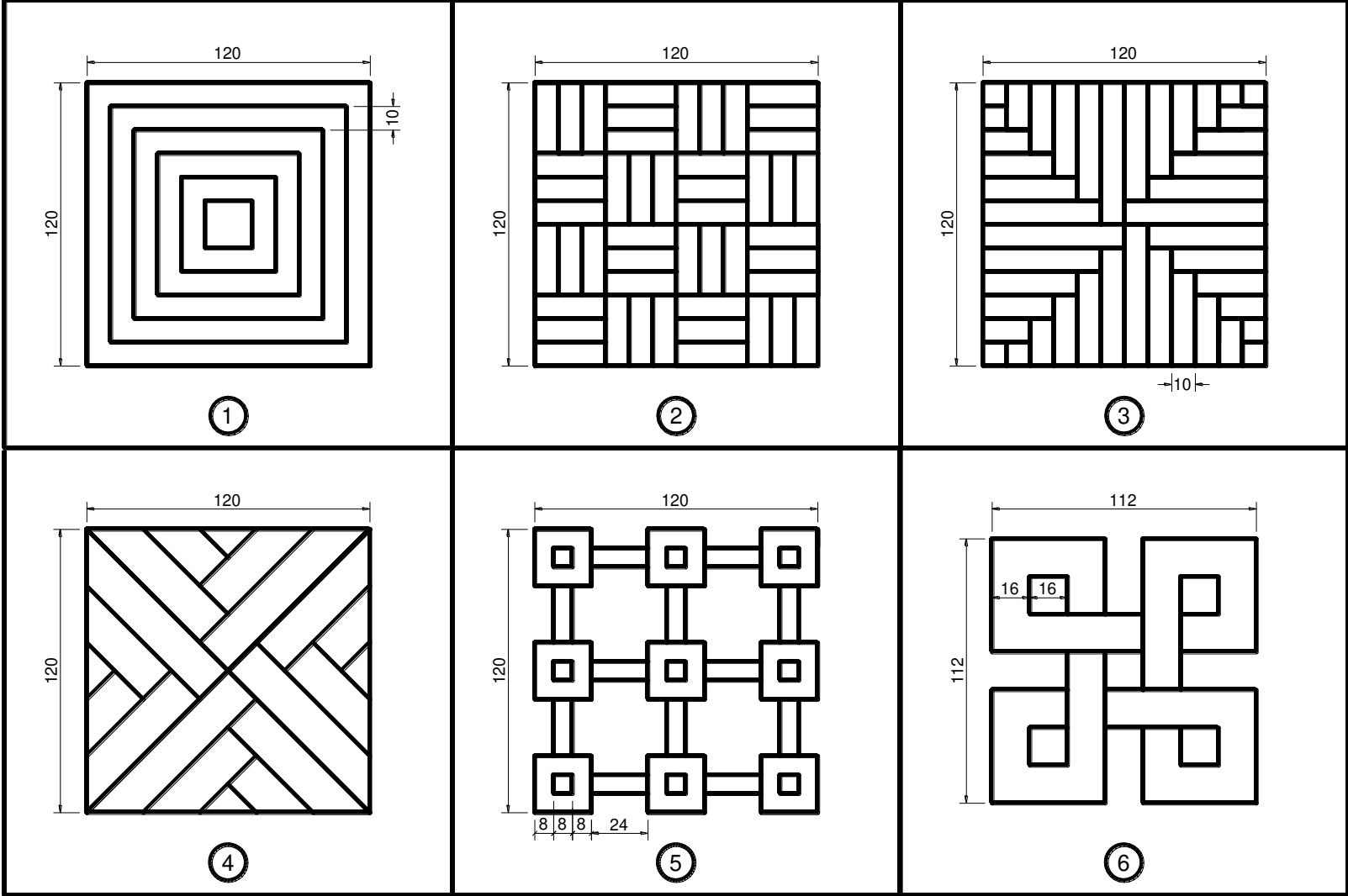
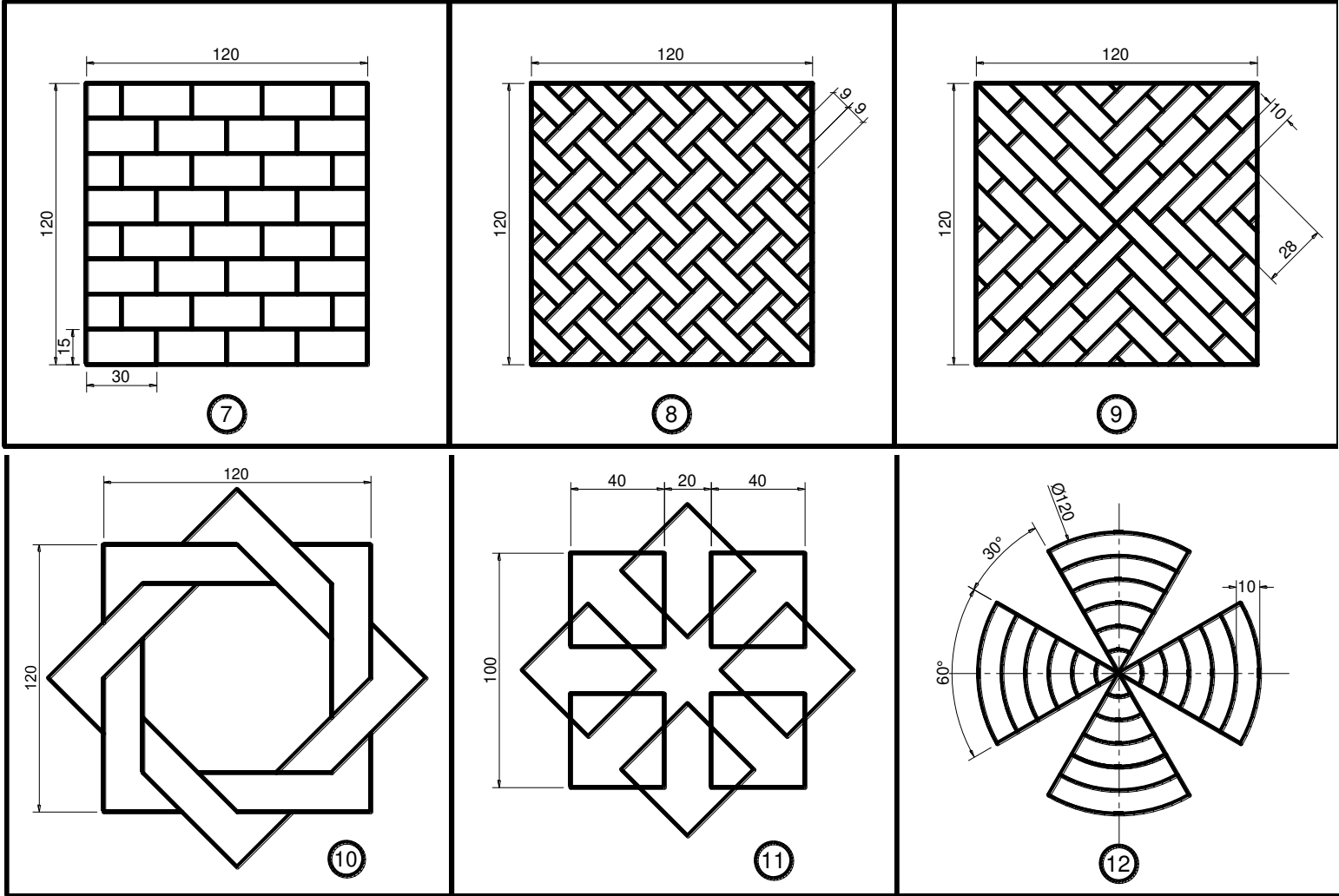


Q1 – Q6 :  
Redraw figures in Scale 1:1



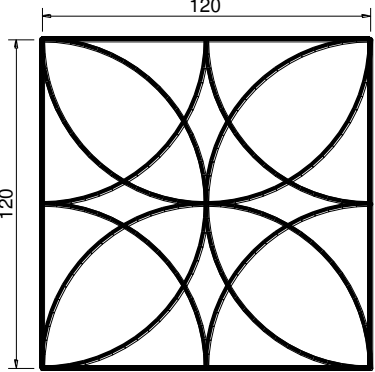
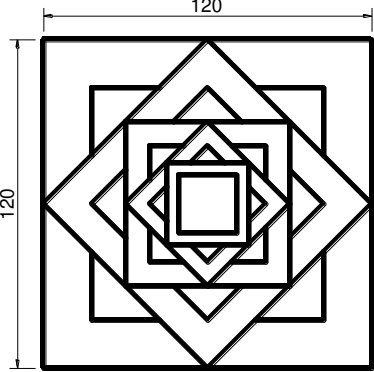
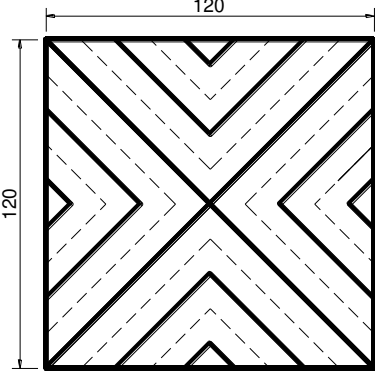
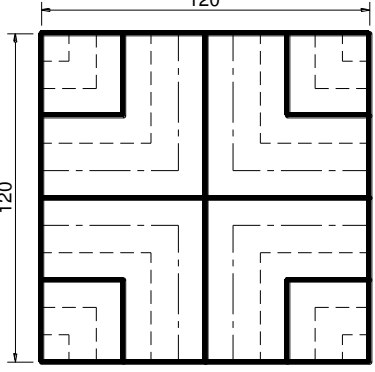
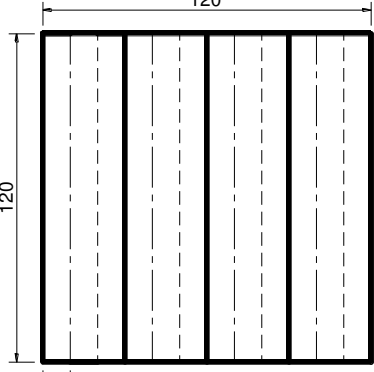
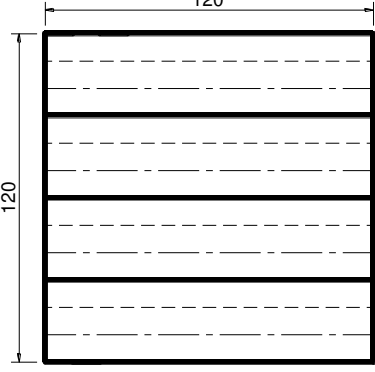
Q7 – Q12 :

Redraw figures in Scale 1:1



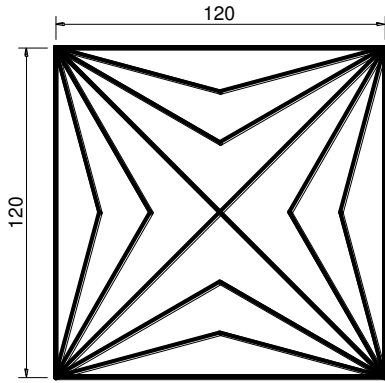
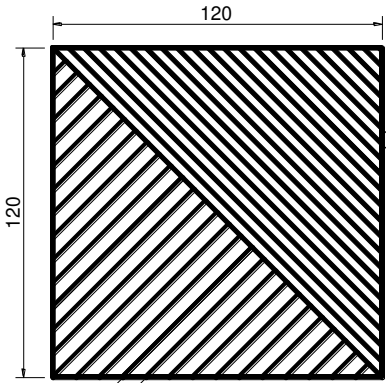
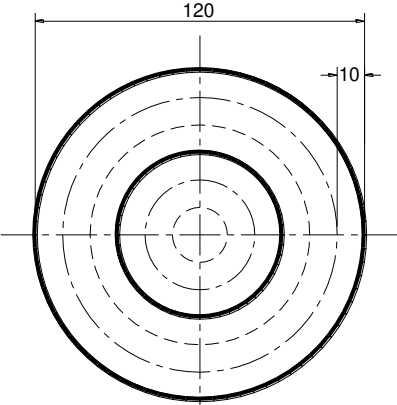
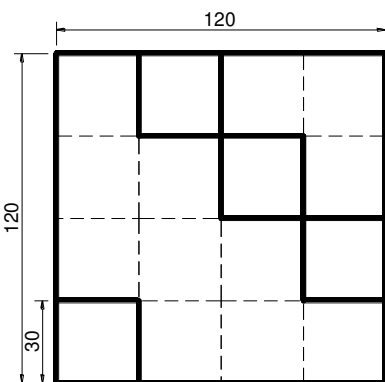
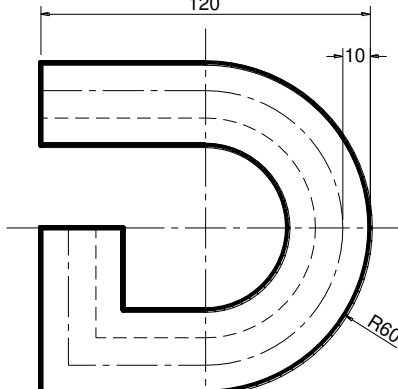
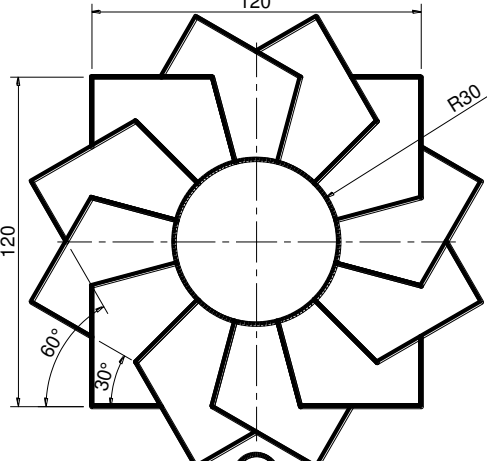
Q13 – Q18 :

Redraw figures in Scale 1:1

 <p>120</p> <p>120</p> <p>13</p>	 <p>120</p> <p>120</p> <p>14</p>	 <p>120</p> <p>120</p> <p>6</p> <p>9</p> <p>15</p>
 <p>120</p> <p>120</p> <p>10</p> <p>16</p>	 <p>120</p> <p>120</p> <p>10</p> <p>17</p>	 <p>120</p> <p>120</p> <p>10</p> <p>18</p>

Q19 – Q24 :

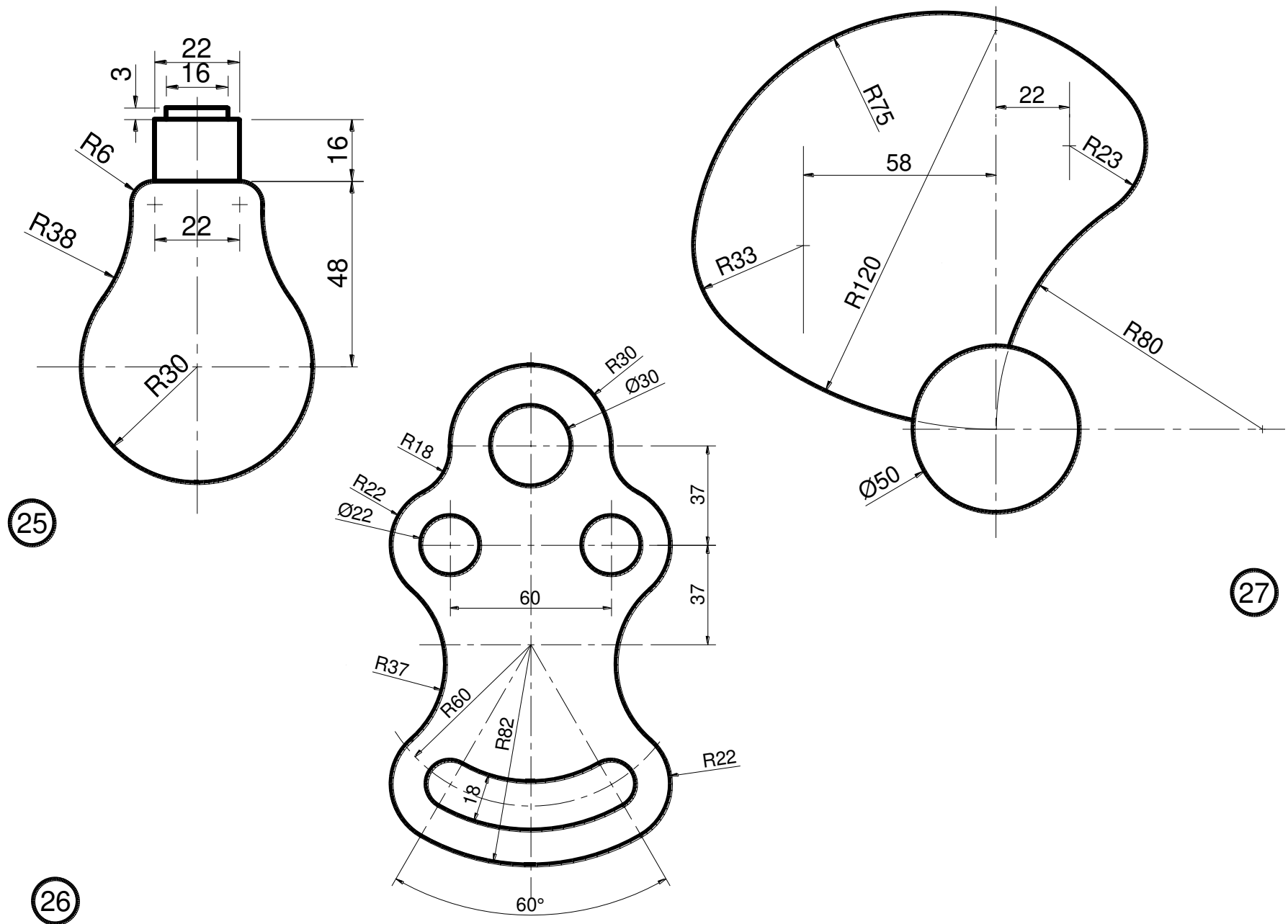
Redraw figures in Scale 1:1

 <p>120</p> <p>120</p> <p>19</p>	 <p>120</p> <p>120</p> <p>16</p> <p>20</p>	 <p>120</p> <p>10</p> <p>21</p>
 <p>120</p> <p>120</p> <p>30</p> <p>30</p> <p>22</p>	 <p>120</p> <p>10</p> <p>R60</p> <p>23</p>	 <p>120</p> <p>120</p> <p>60°</p> <p>30°</p> <p>R30</p> <p>24</p>

Q25 – Q27 :

Redraw figures in Scale 1:1

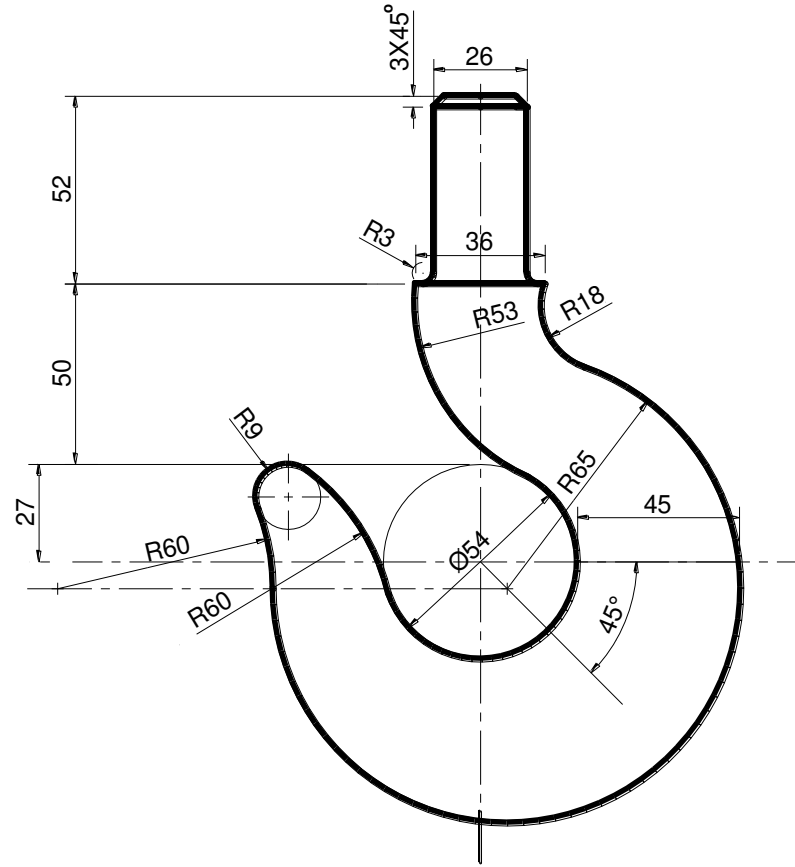
Using Geometrical Operations



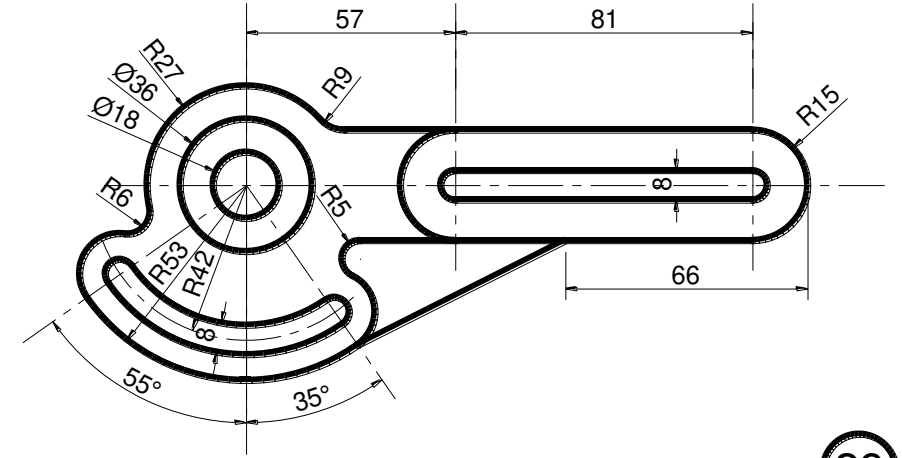
Q28 – Q30 :

Redraw figures in Scale 1:1

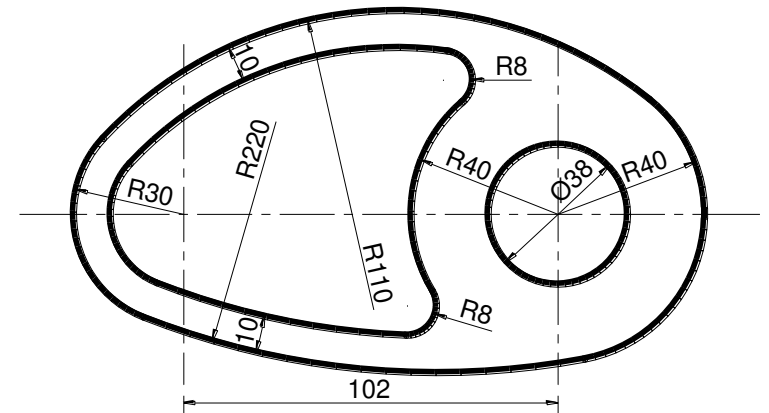
Using Geometrical Operations



28



29

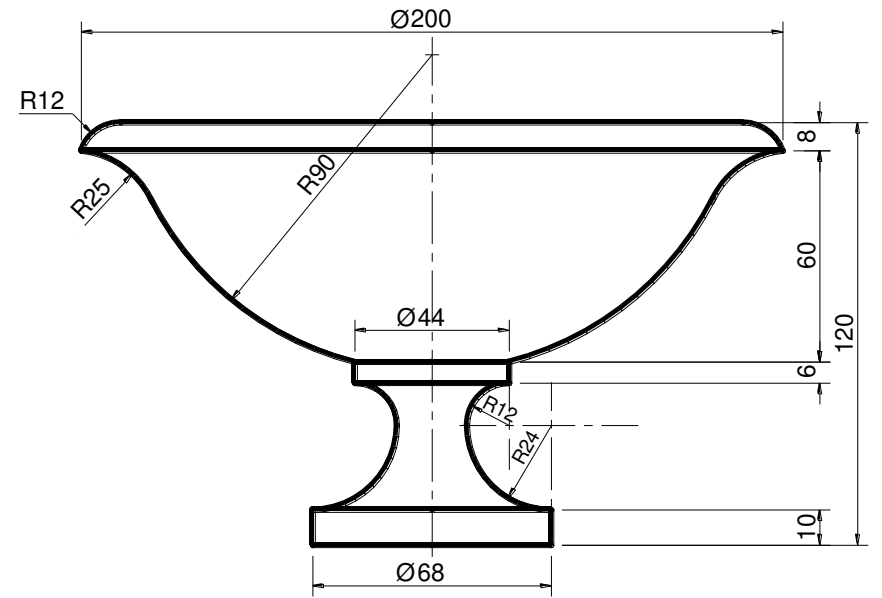
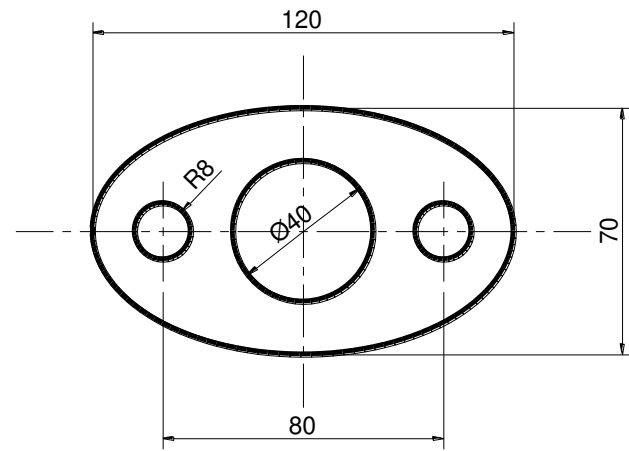
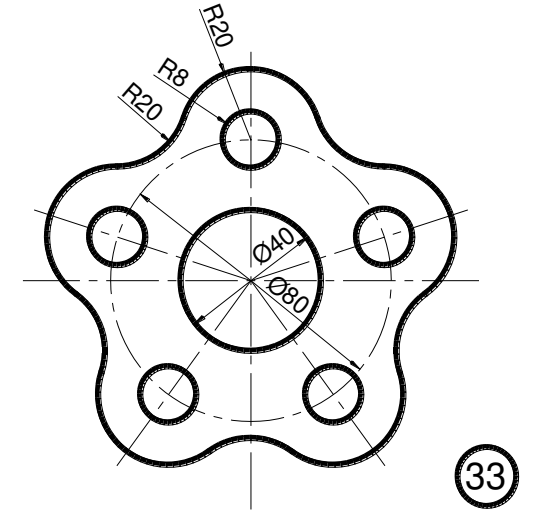
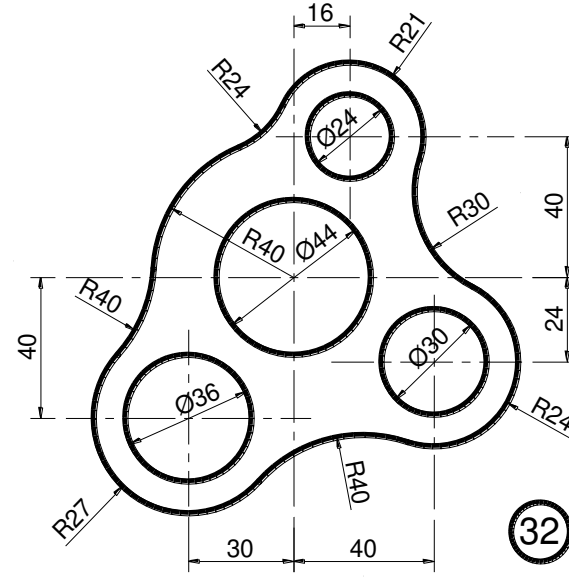
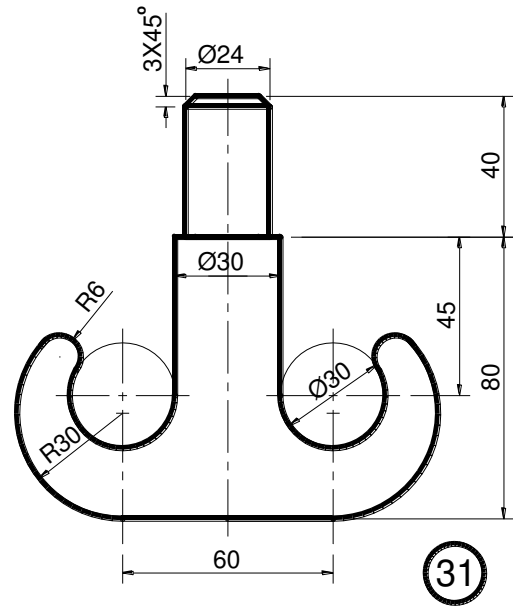


30

Q31 – Q35 :

Redraw figures in Scale 1:1

Using Geometrical Operations

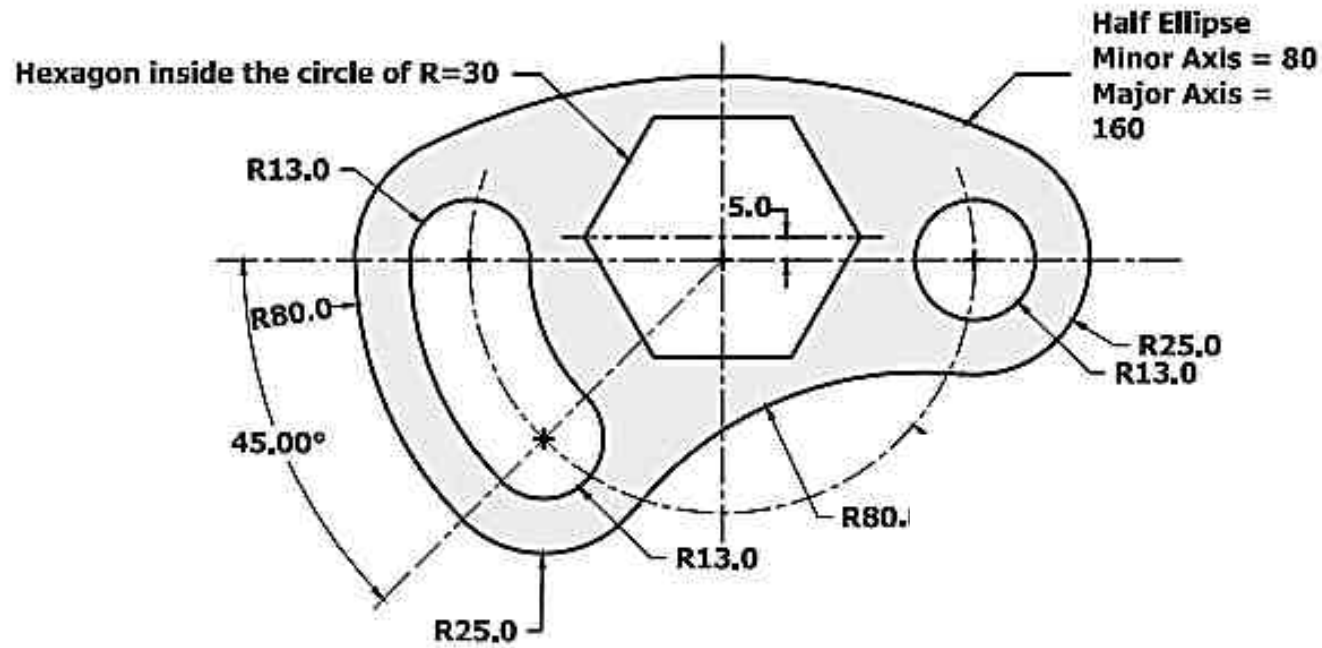


34

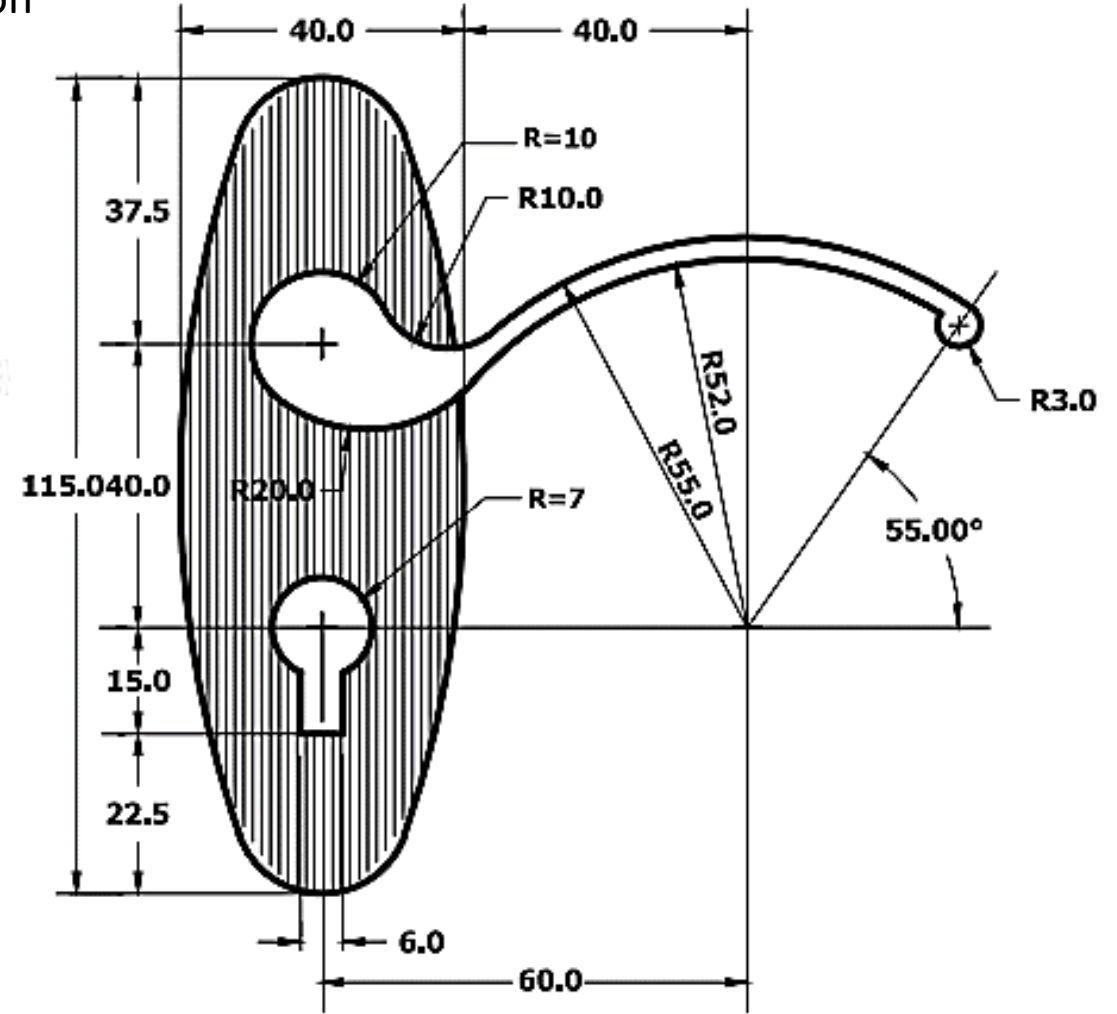
35

Q36 – Q37

Redraw the following figures in Scale 1:1 Using Geometrical Operation



36



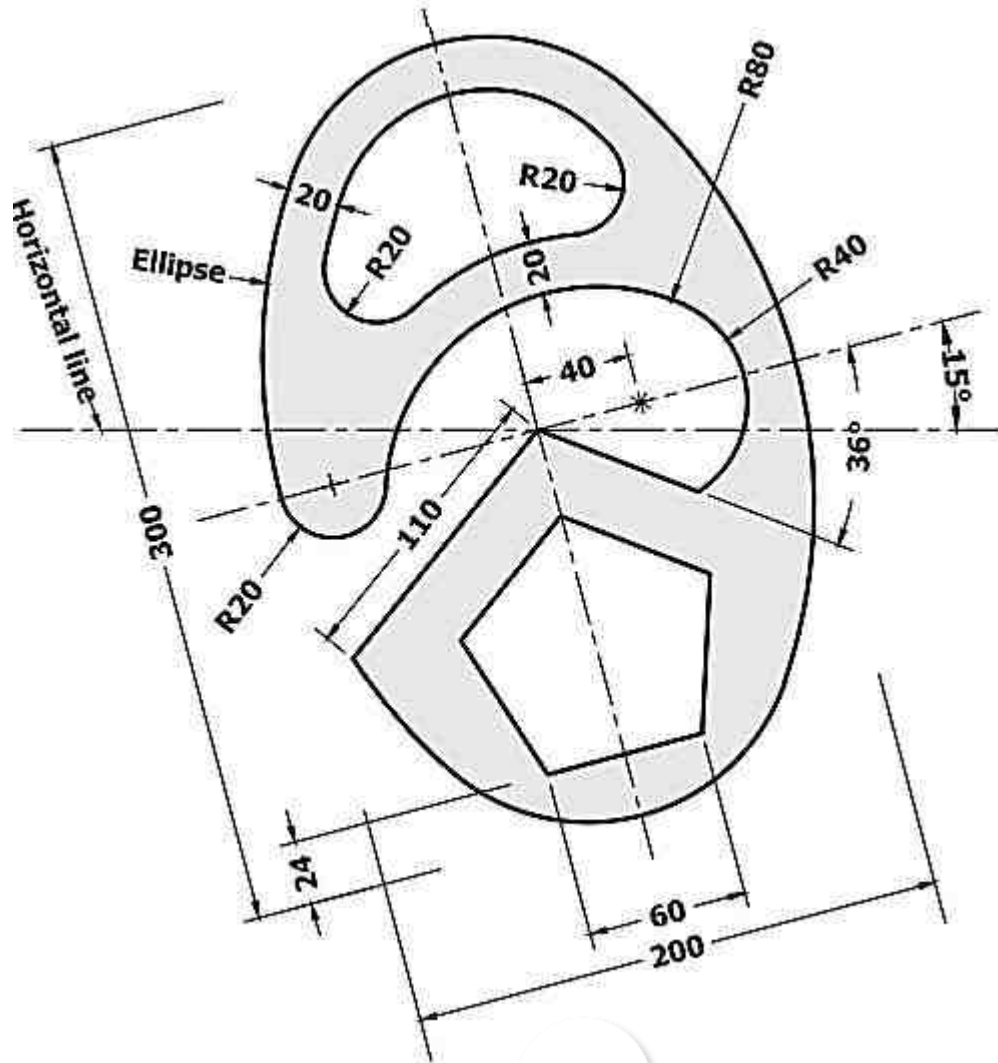
37



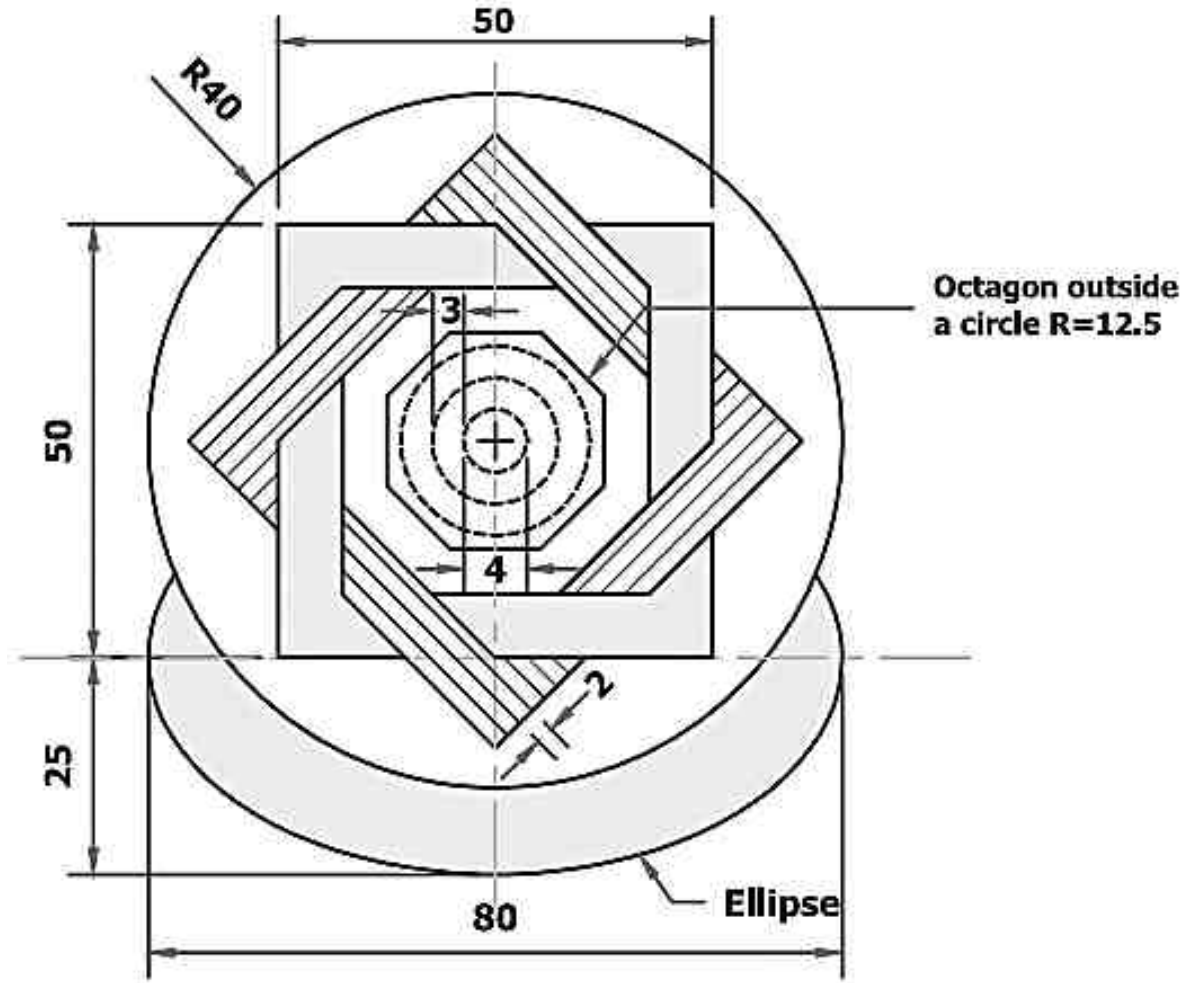


Q40 – Q41

Redraw the following figures in Scale 1:1 Using Geometrical Operation



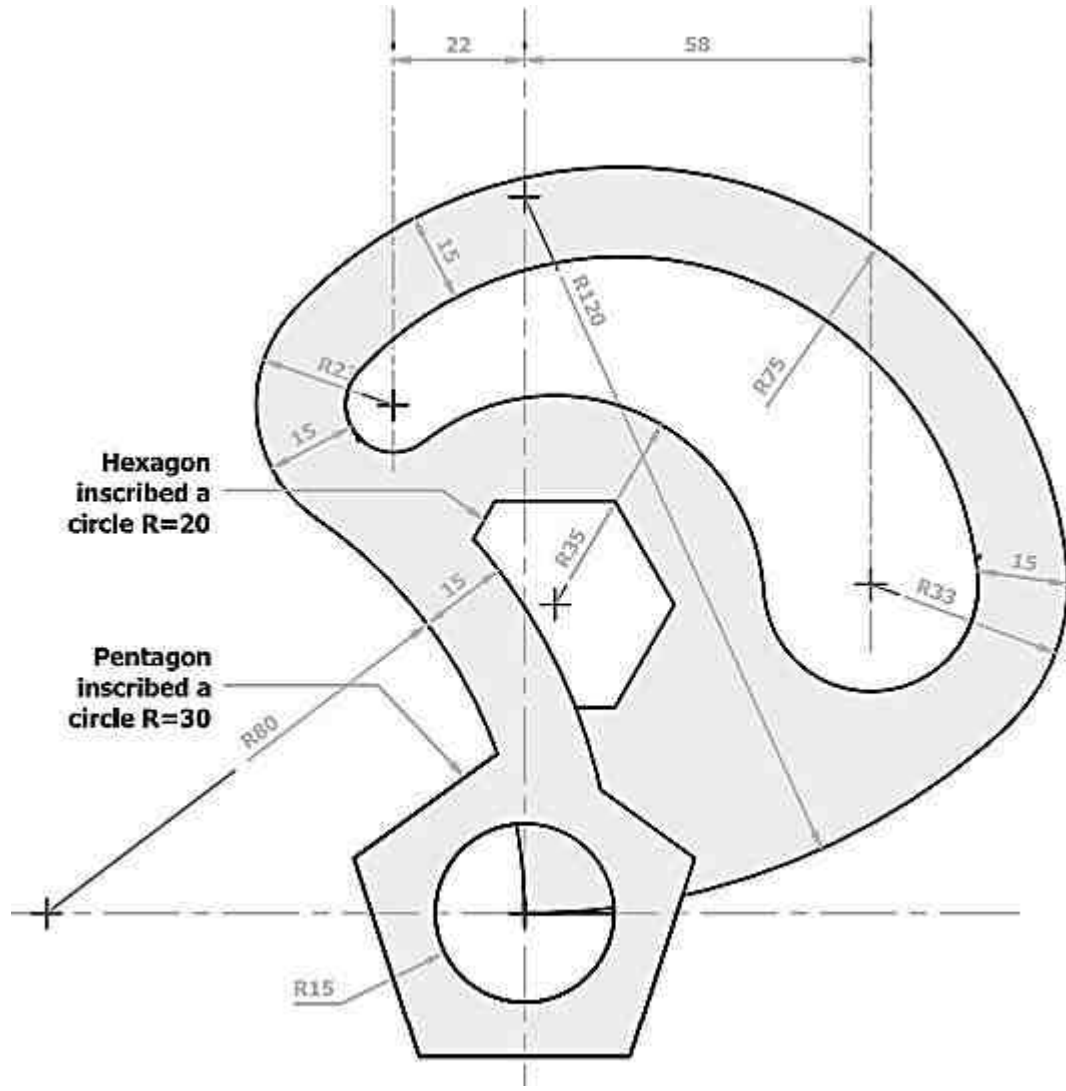
40



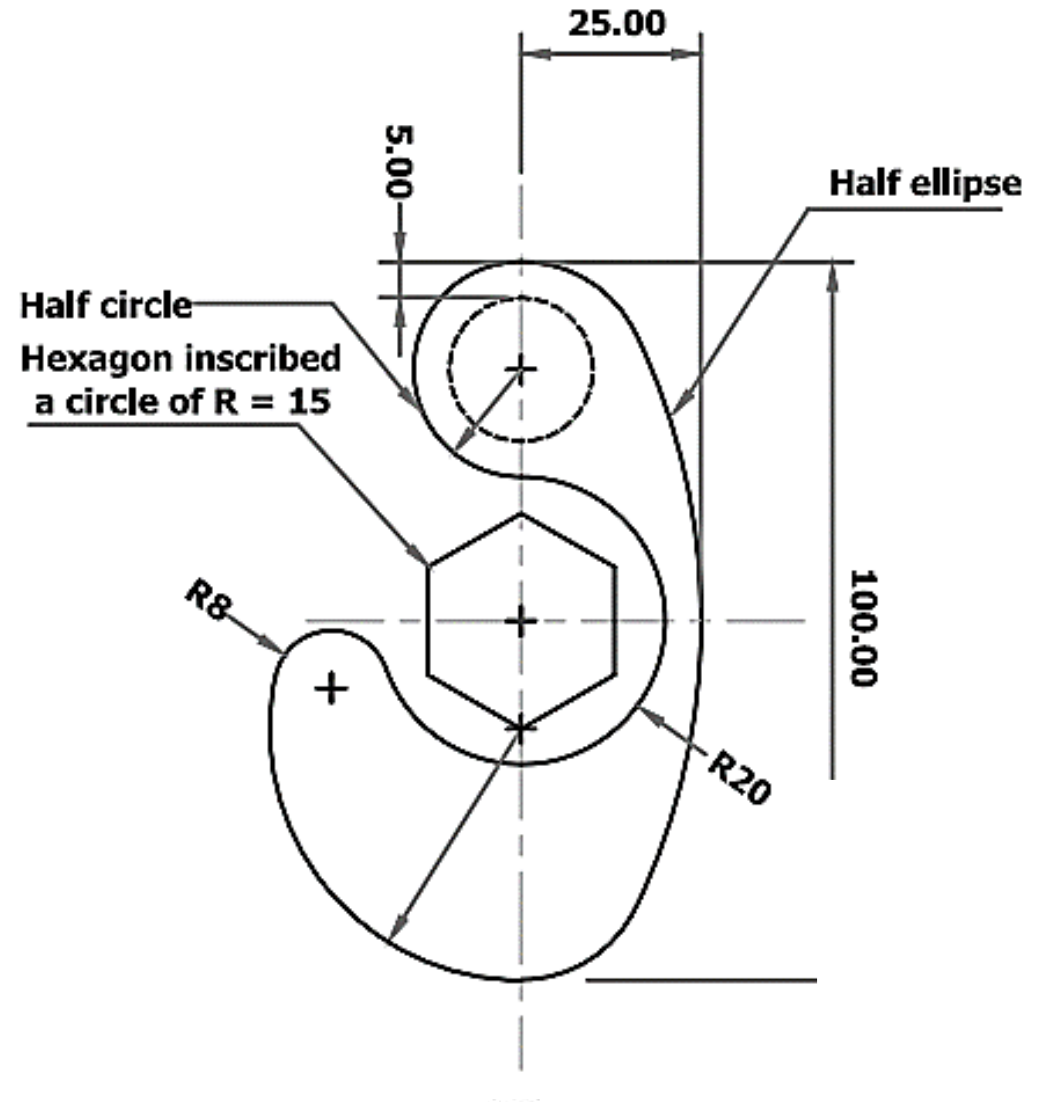
41

Q42 – Q43

Redraw the following figures in Scale 1:1 Using Geometrical Operation



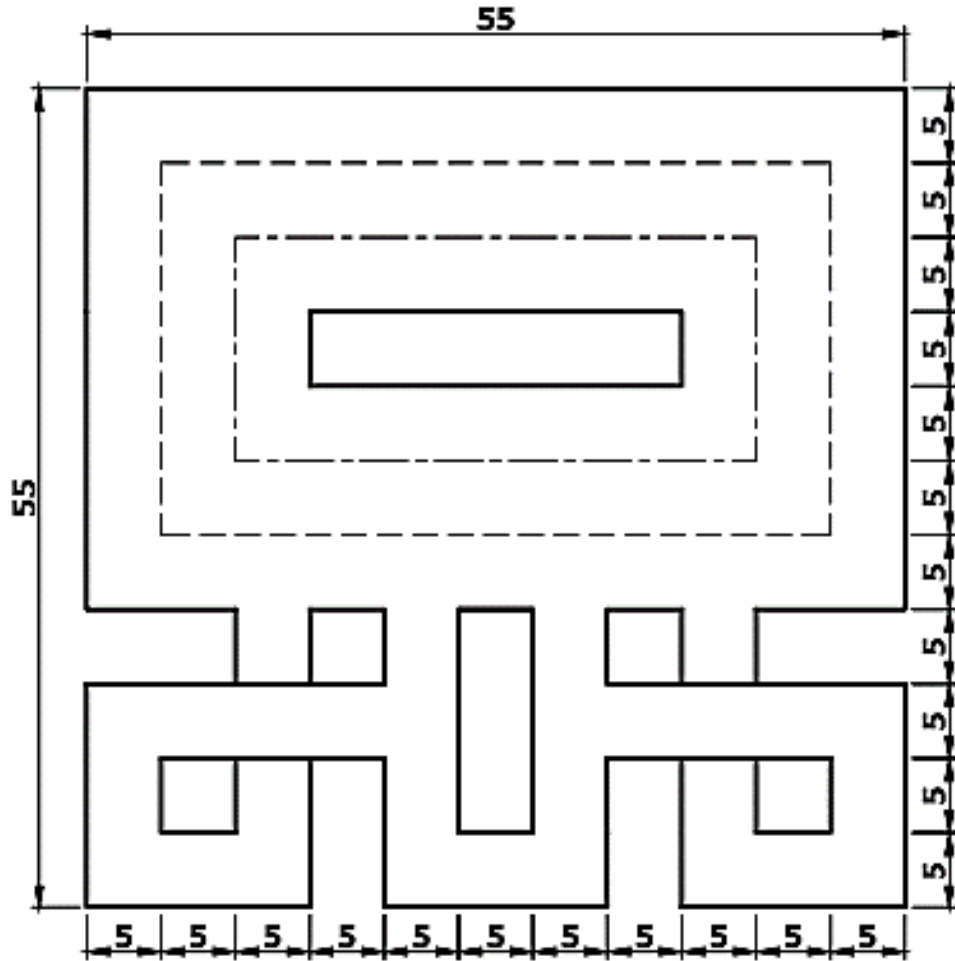
42



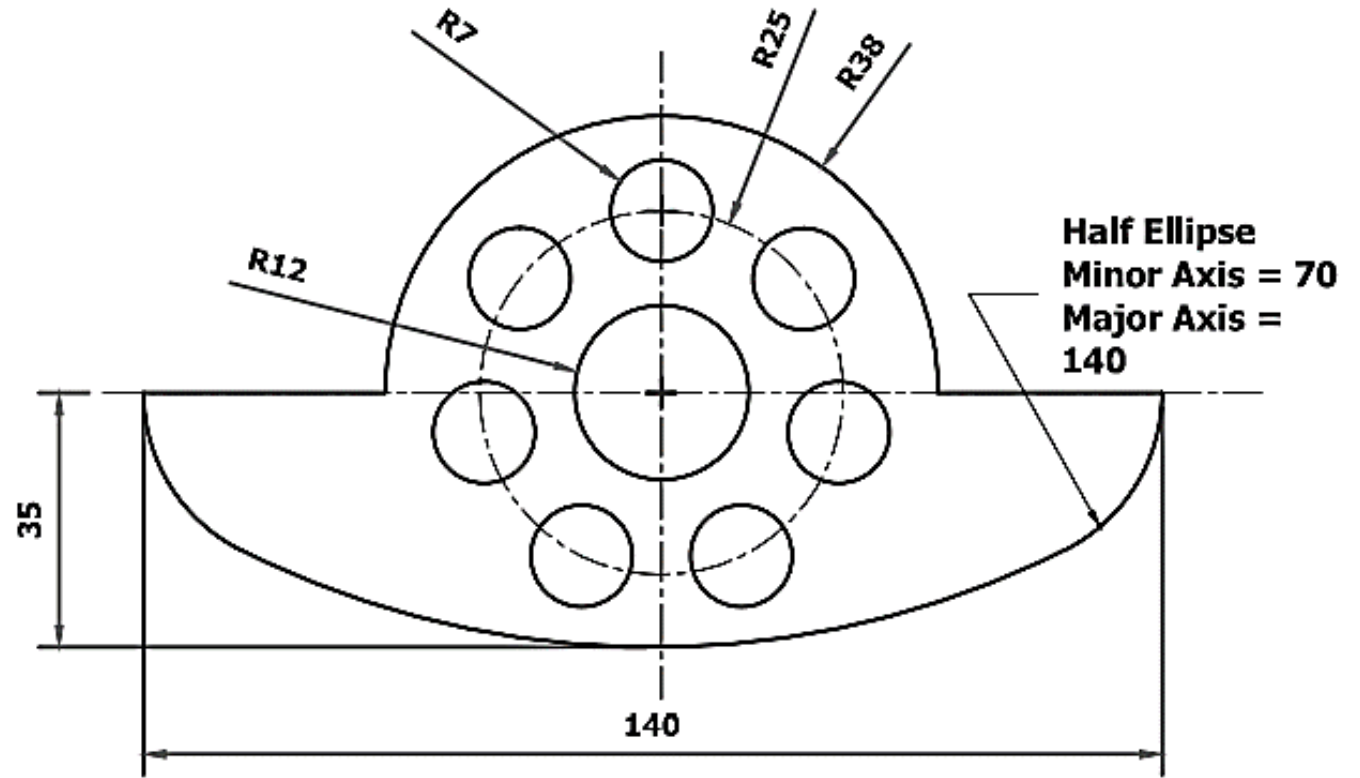
43

Q44 – Q45

Redraw the following figures in Scale 1:1 Using Geometrical Operation



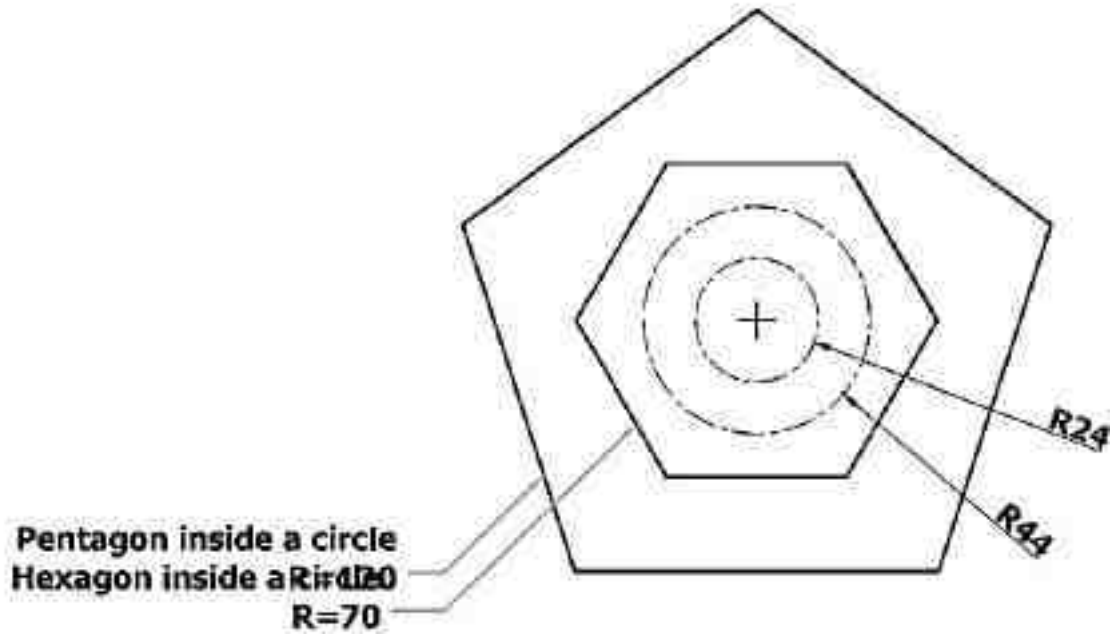
44



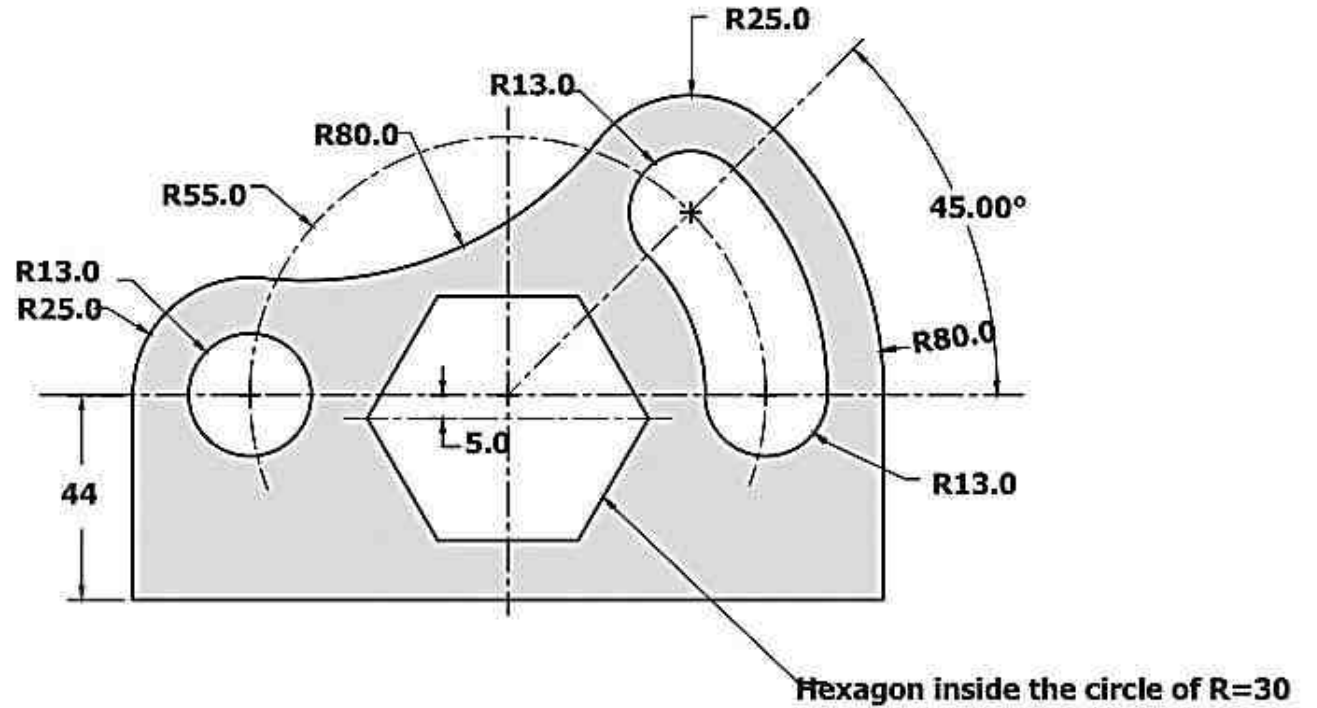
45

Q46 – Q47

Redraw the following figures in Scale 1:1 Using Geometrical Operation

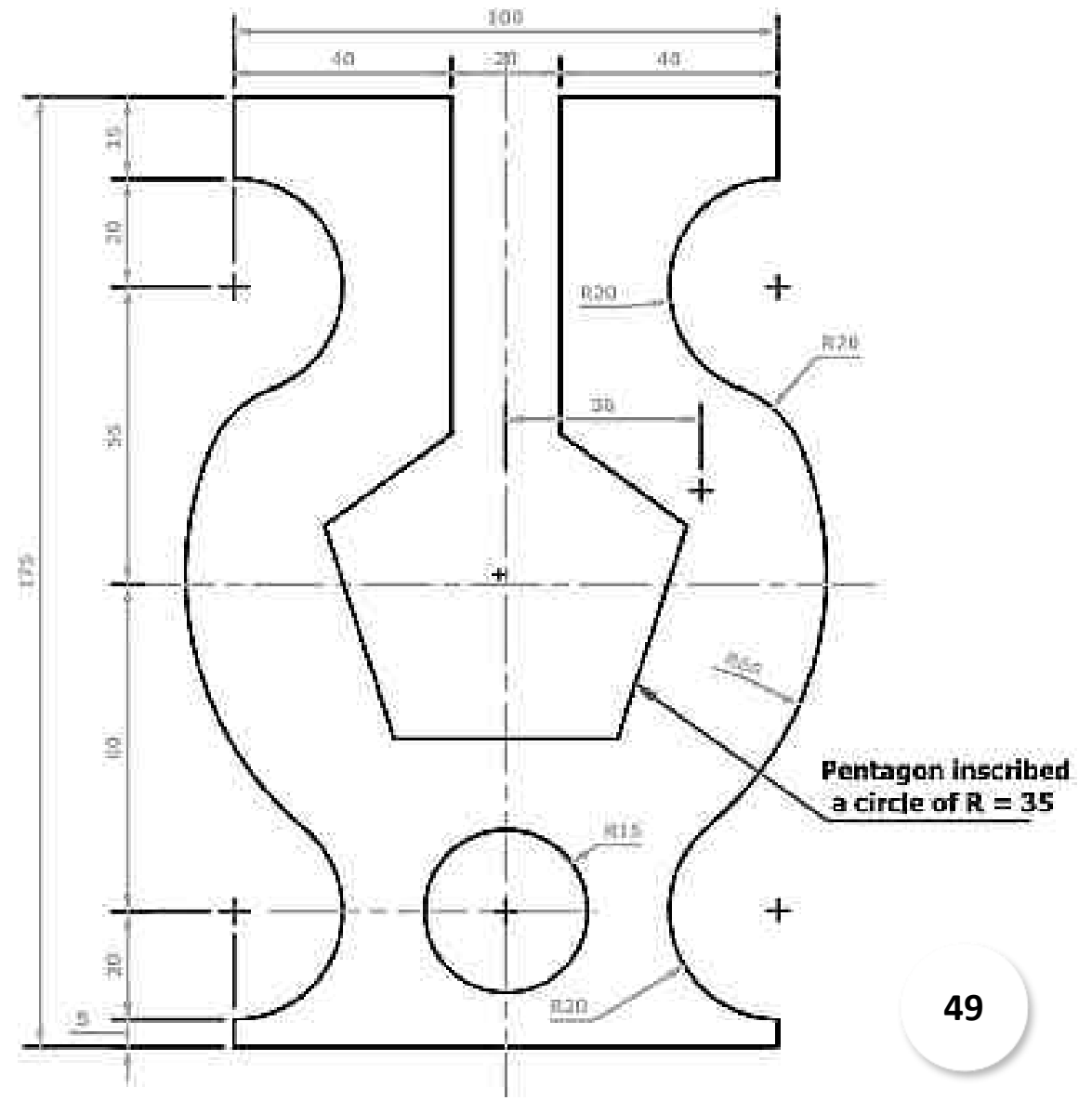
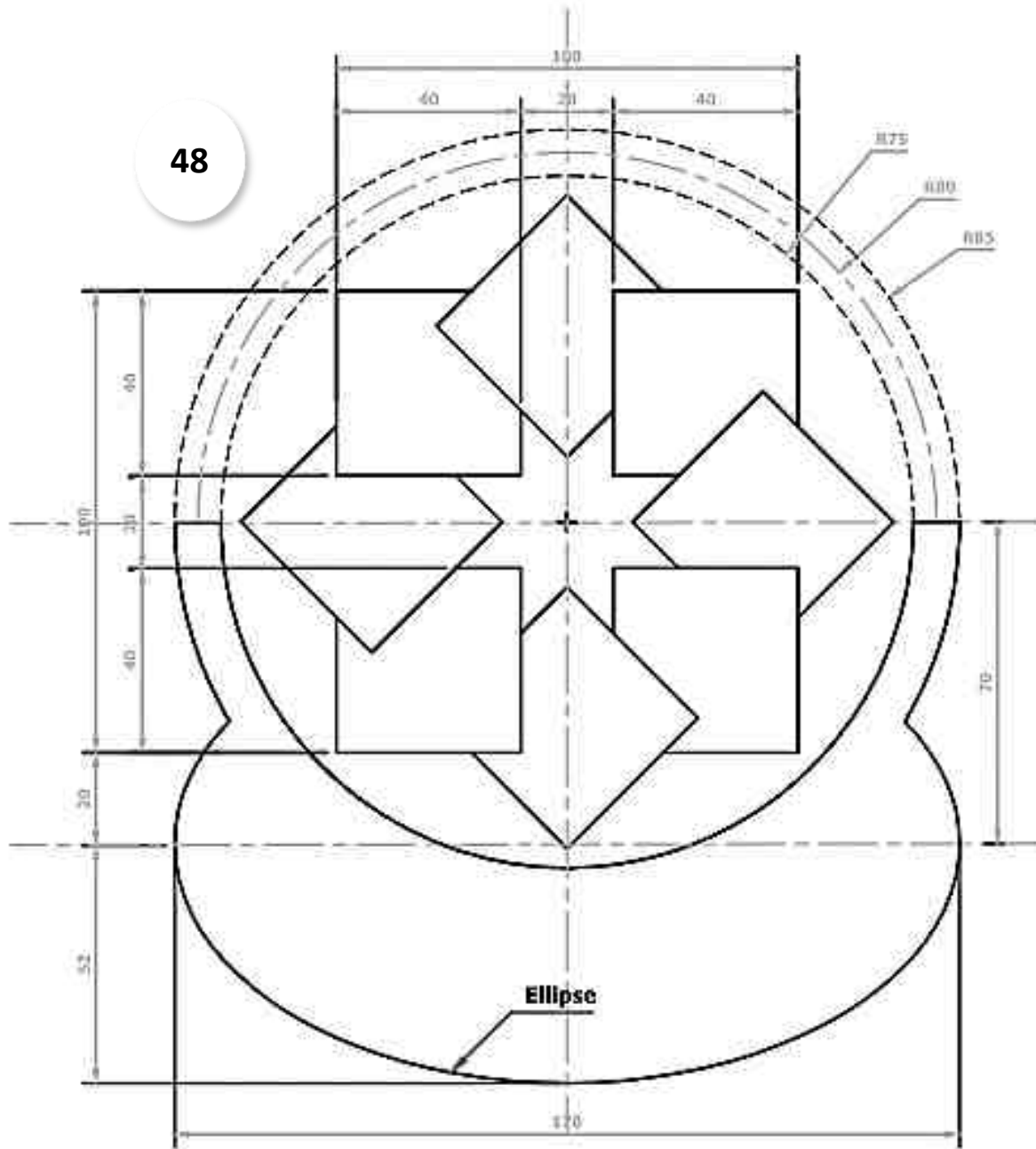


46

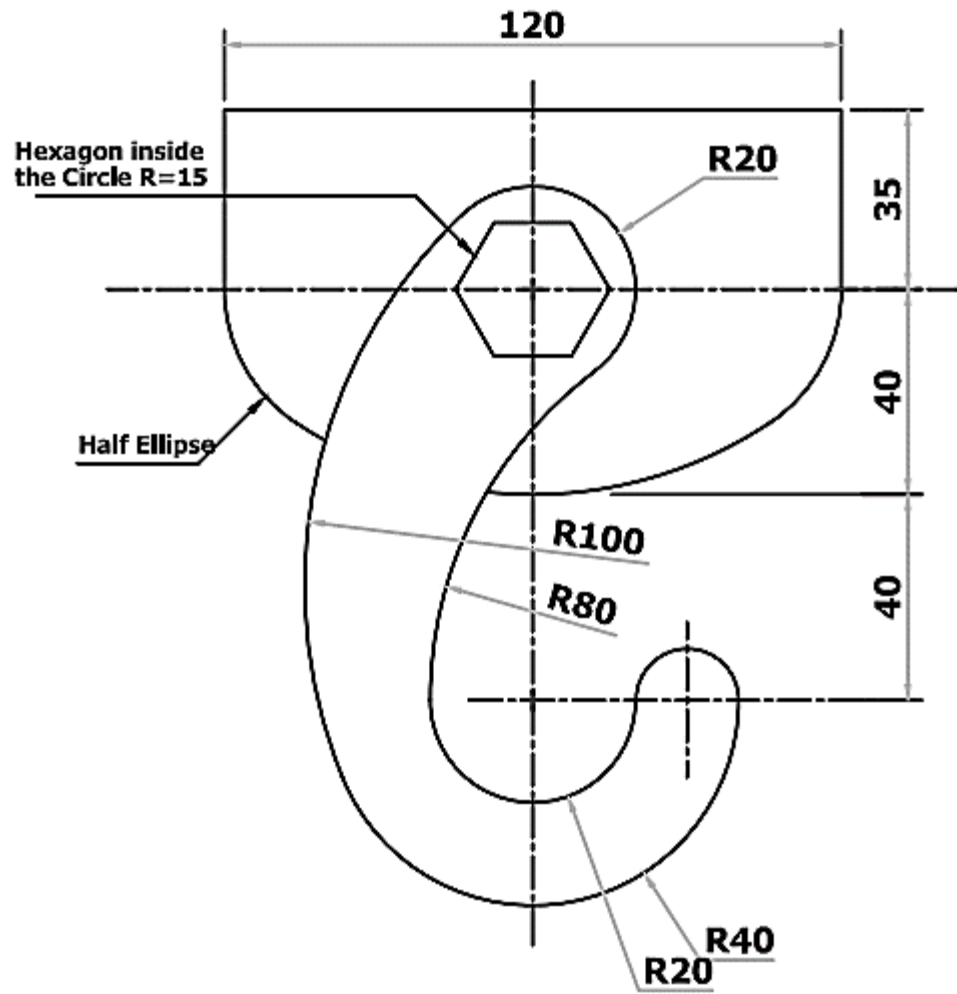


47

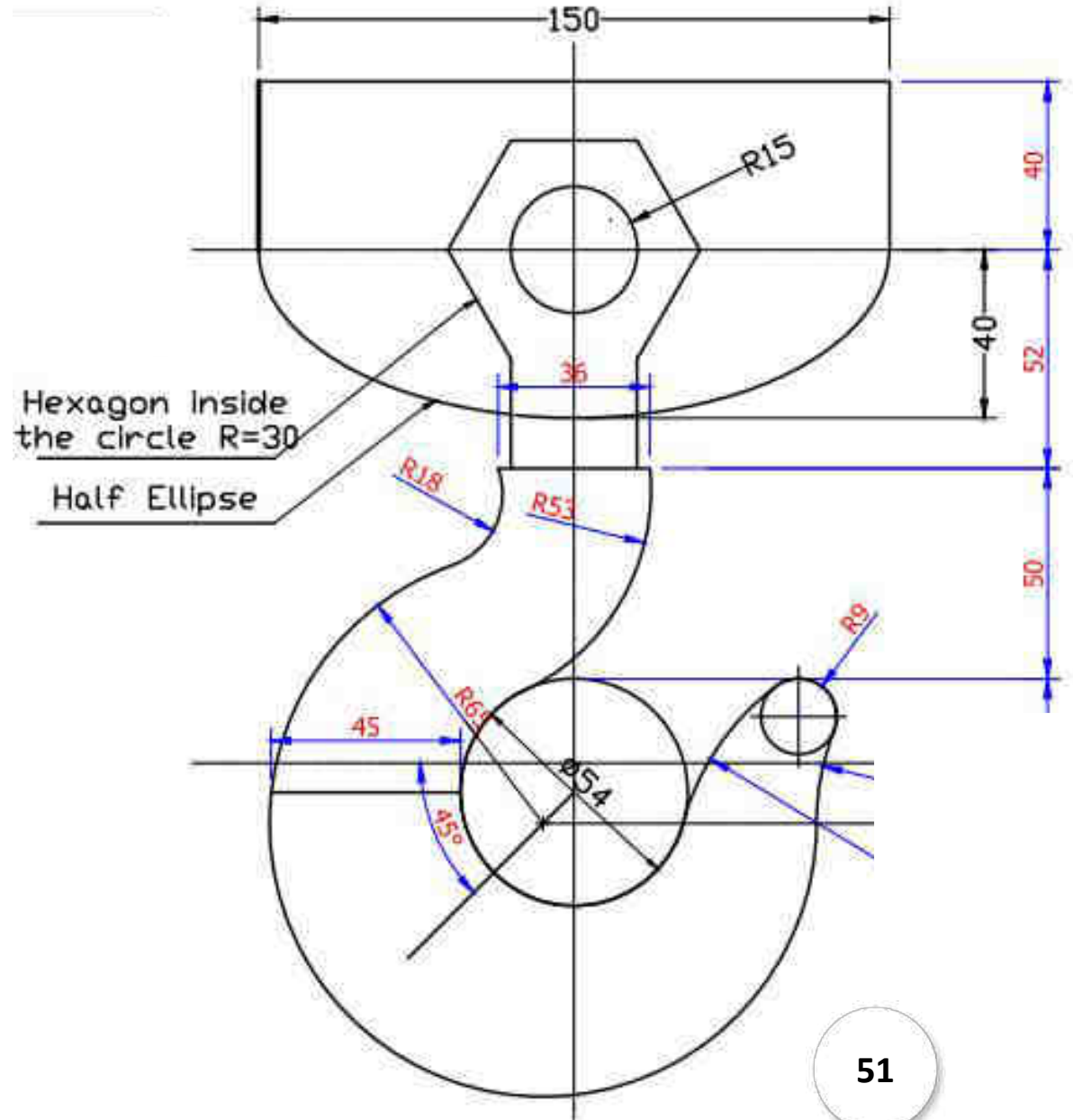
Q48 – Q49 Redraw the following figures in Scale 1:1 Using Geometrical Operation



Q50 – Q51 Redraw the following figures in Scale 1:1 Using Geometrical Operation



50



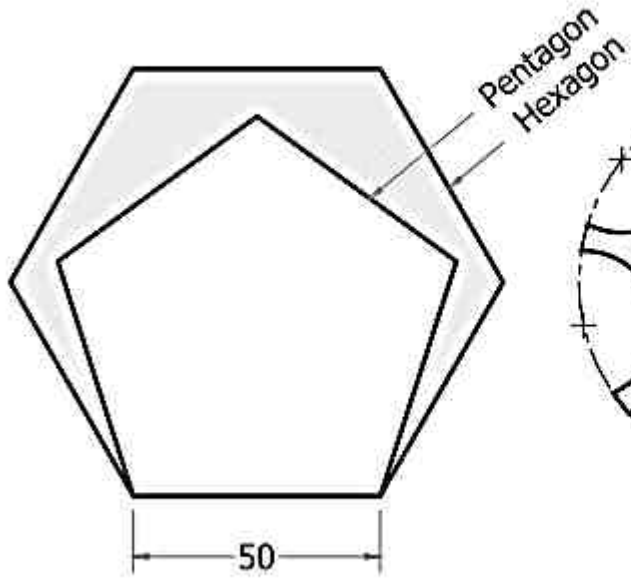
51



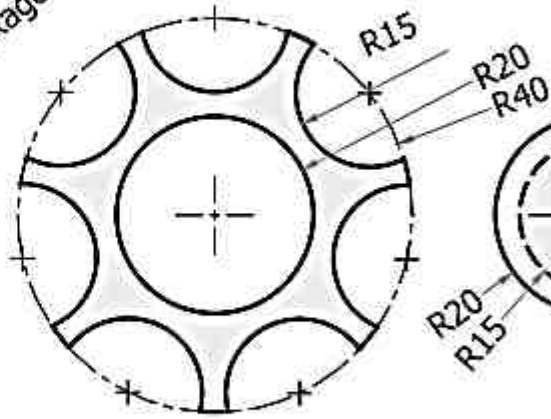




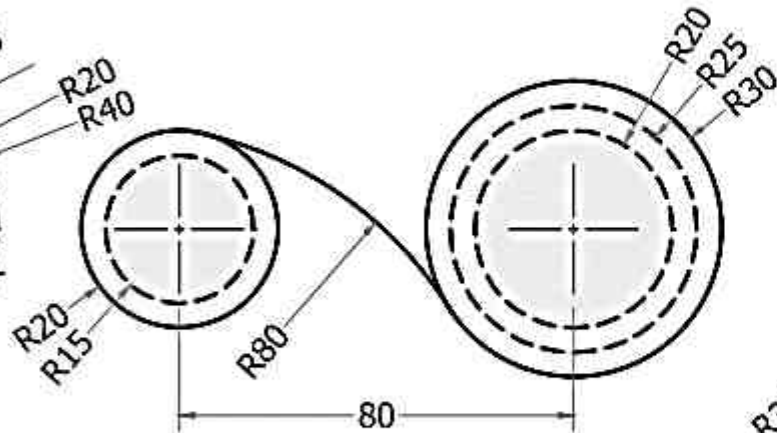
Q54 – Q57 Redraw the following figures in Scale 1:1 Using Geometrical Operation



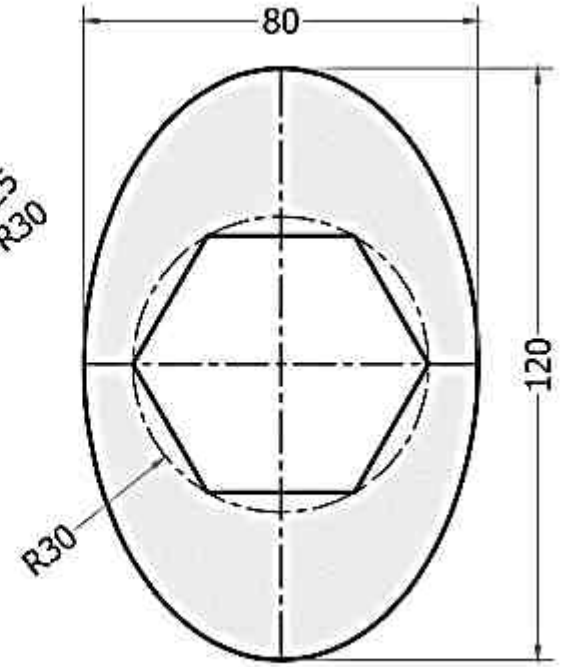
54



55



56

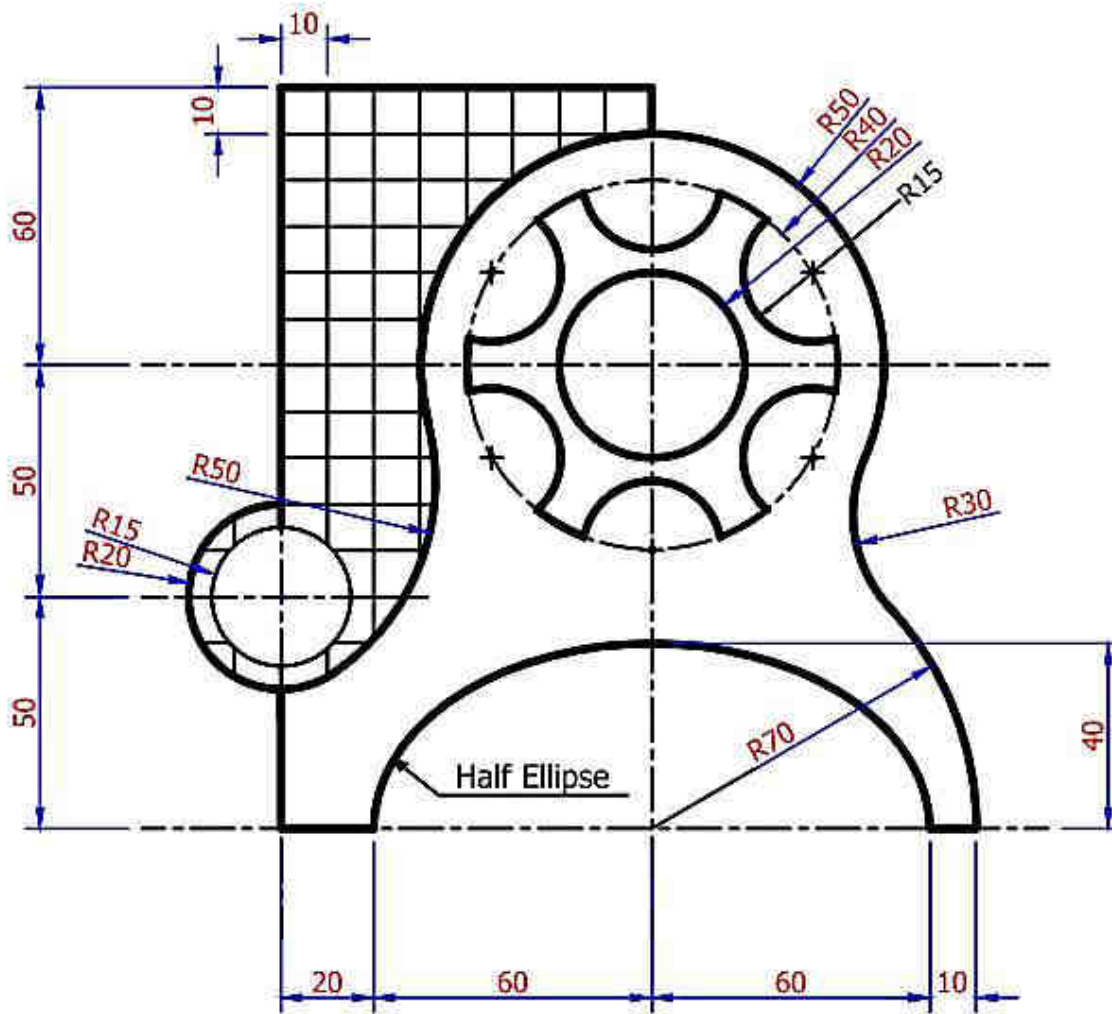


57

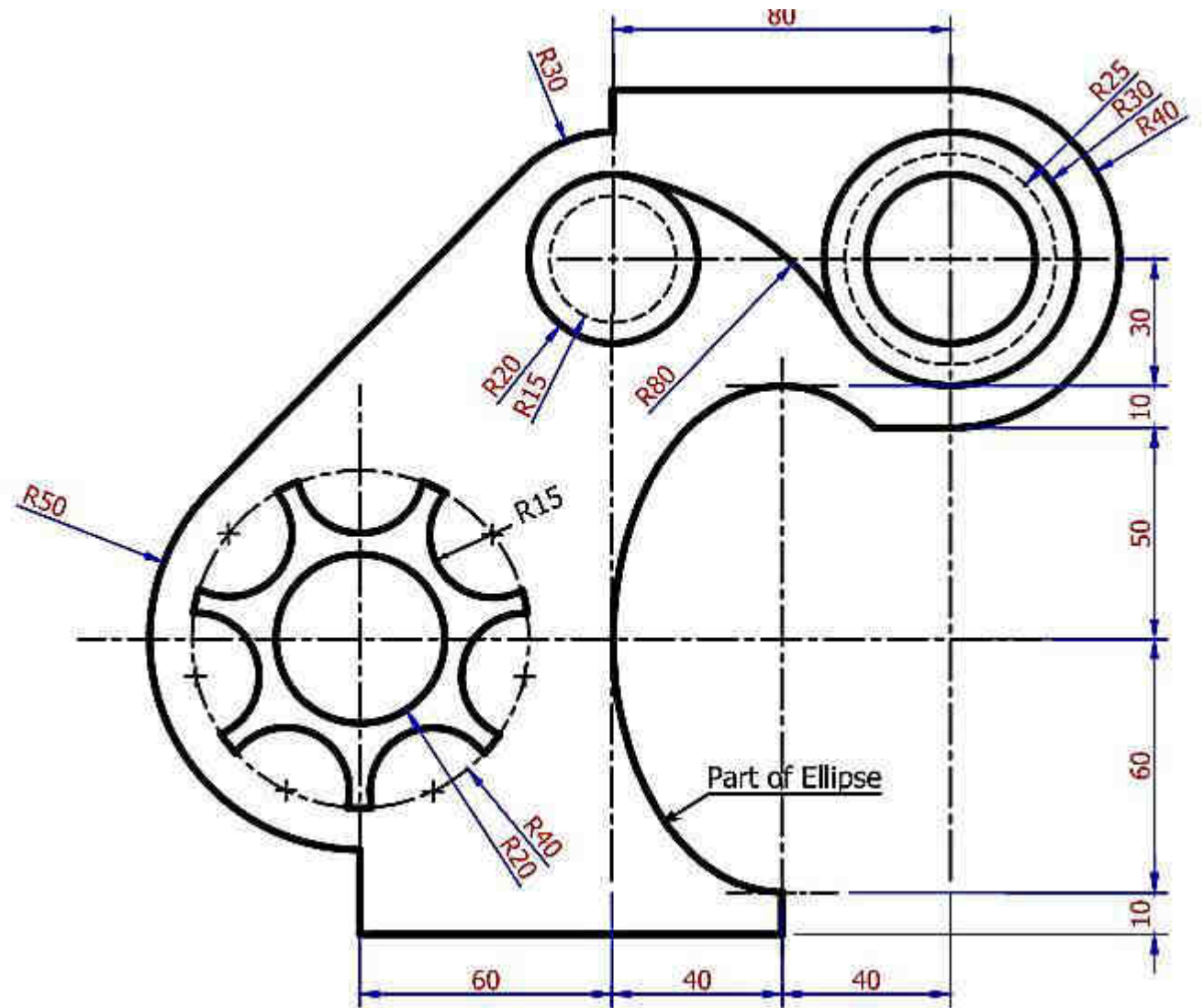




Q62 – Q63 Redraw the following figures in Scale 1:1 Using Geometrical Operation

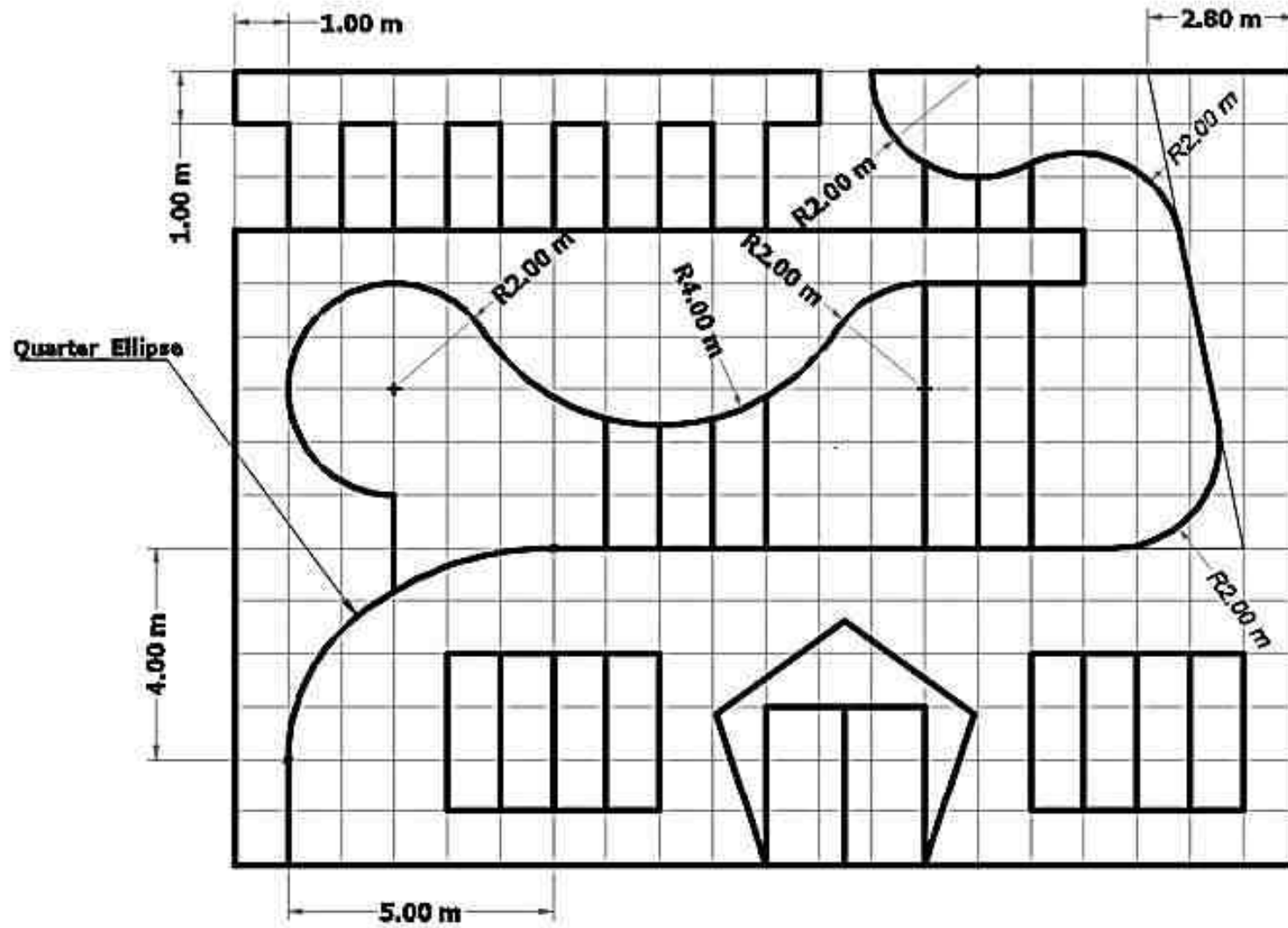


62

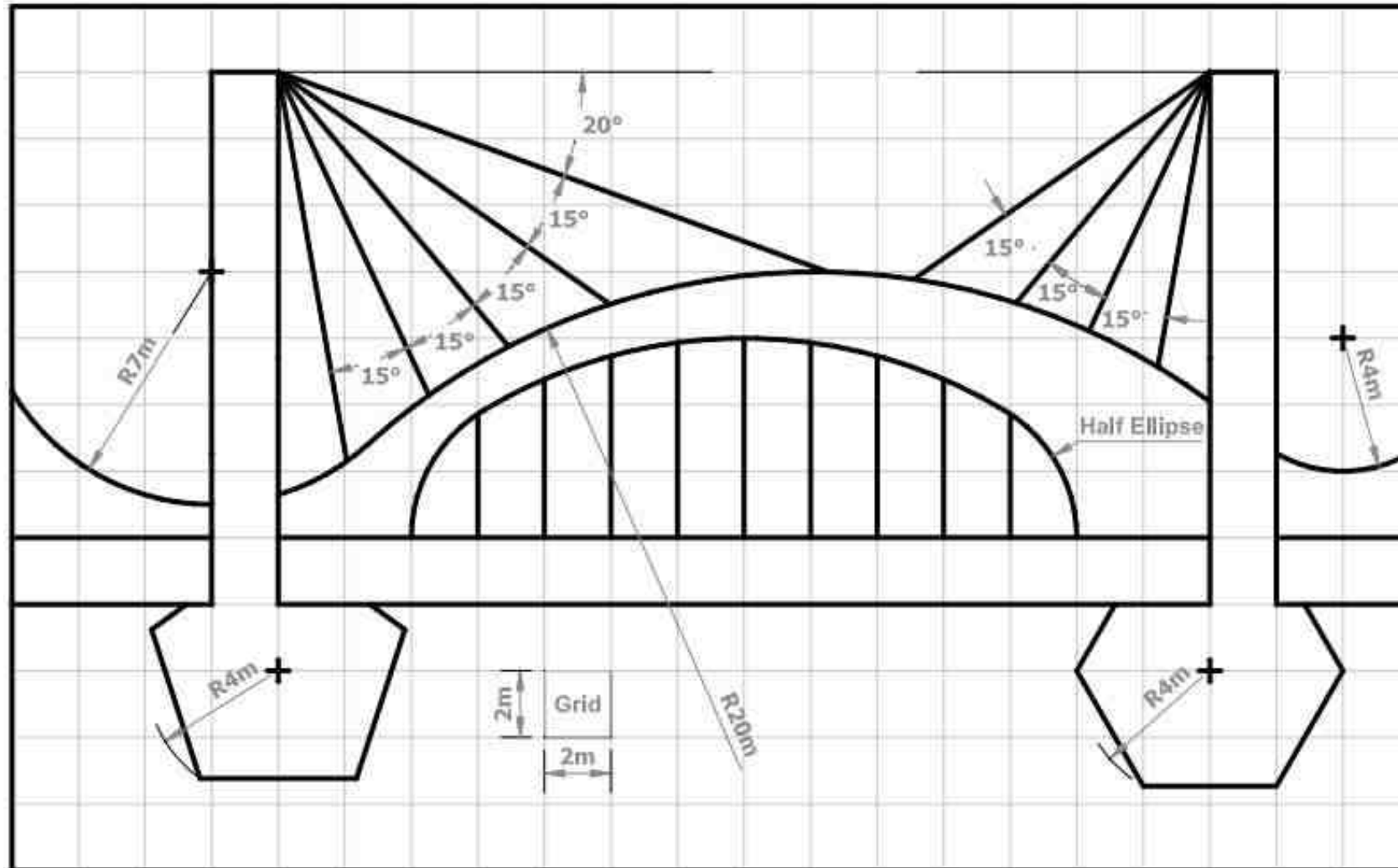


63

Q64: Redraw the following figures in Scale 1:100 Using Geometrical Operation



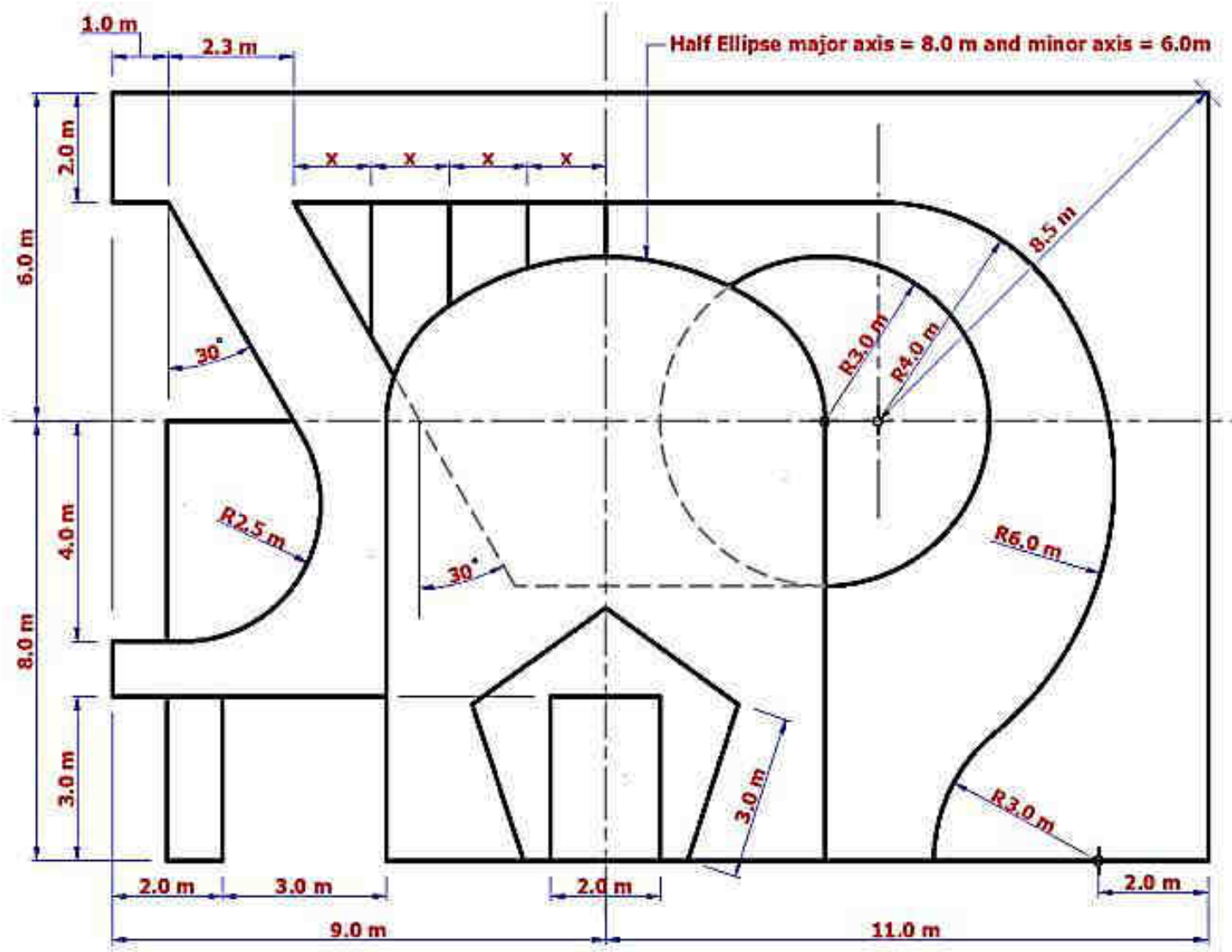
Q65: Redraw the following figures in Scale 1:200 Using Geometrical Operation







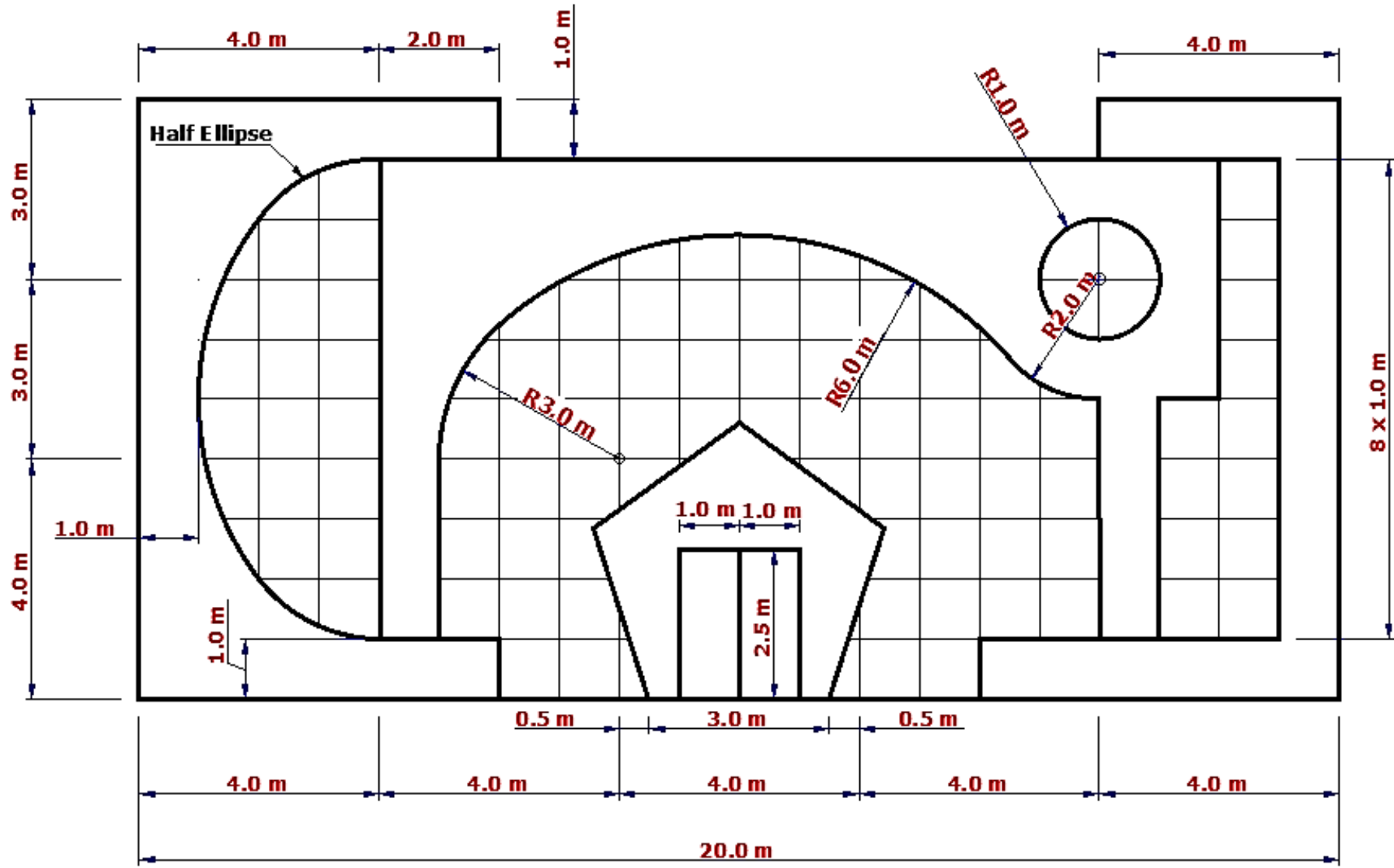
Q68: Redraw the following figures in Scale 1:100 Using Geometrical Operation



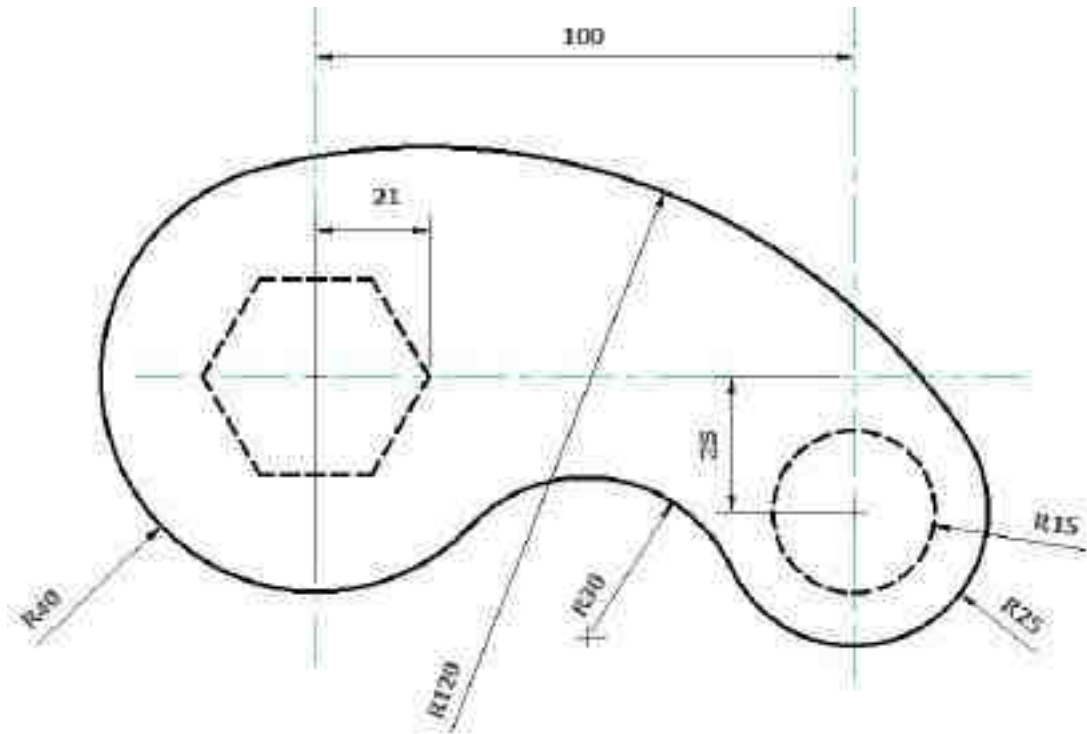




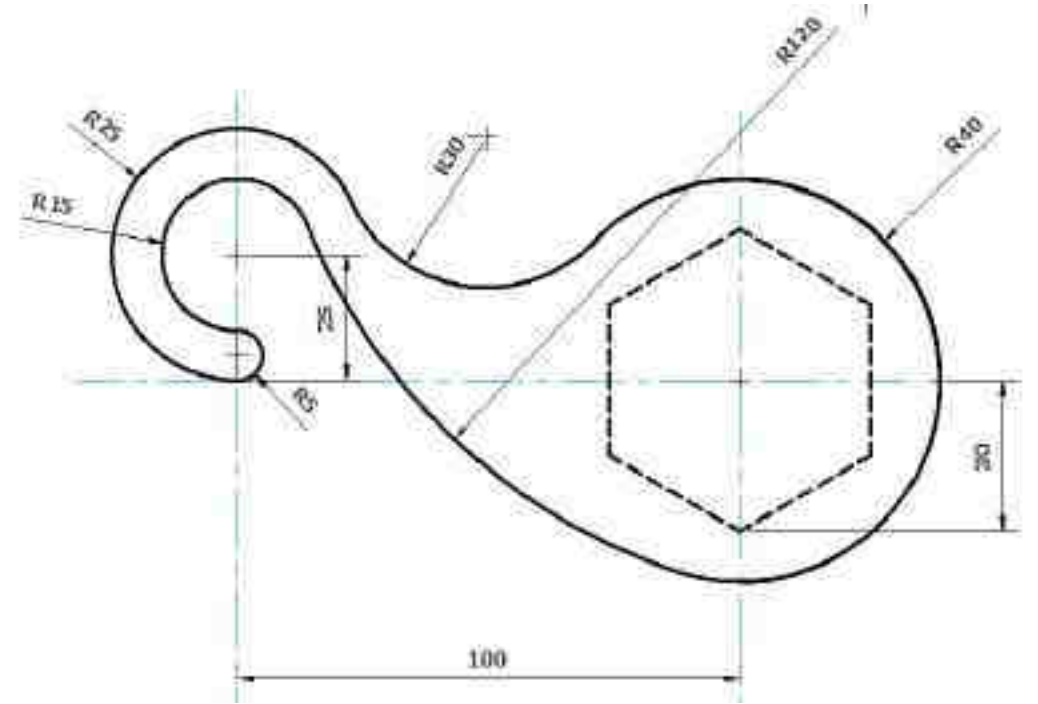
Q70: Redraw the following figures in Scale 1:100 Using Geometrical Operation



Q71-72: Redraw the following figures in Scale 1:1 Using Geometrical Operation

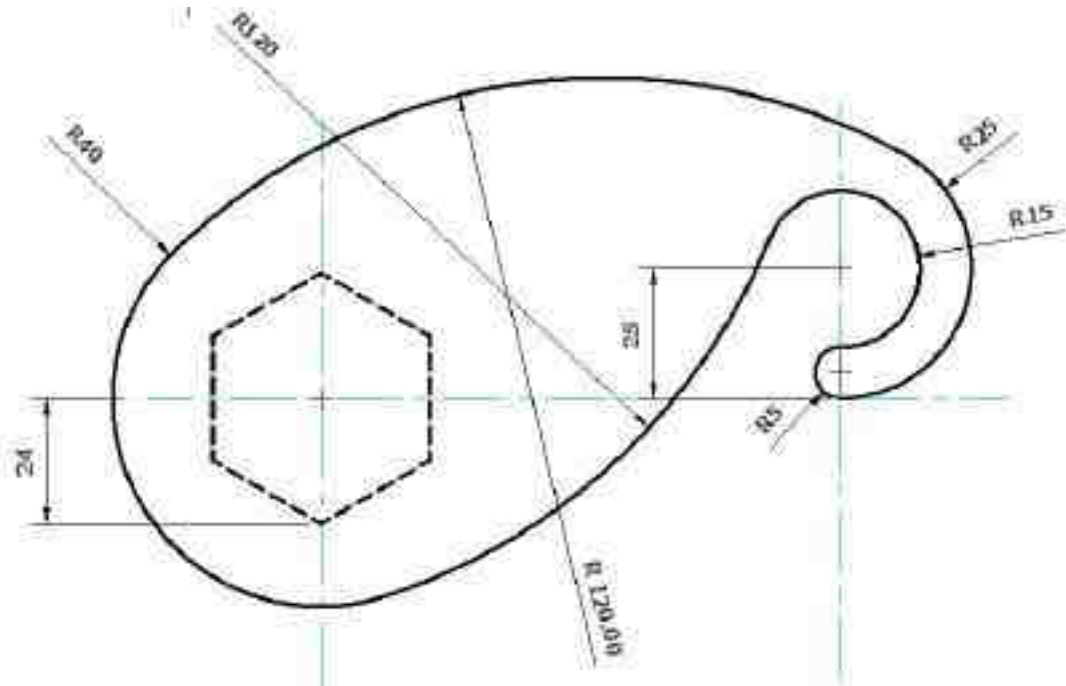


71

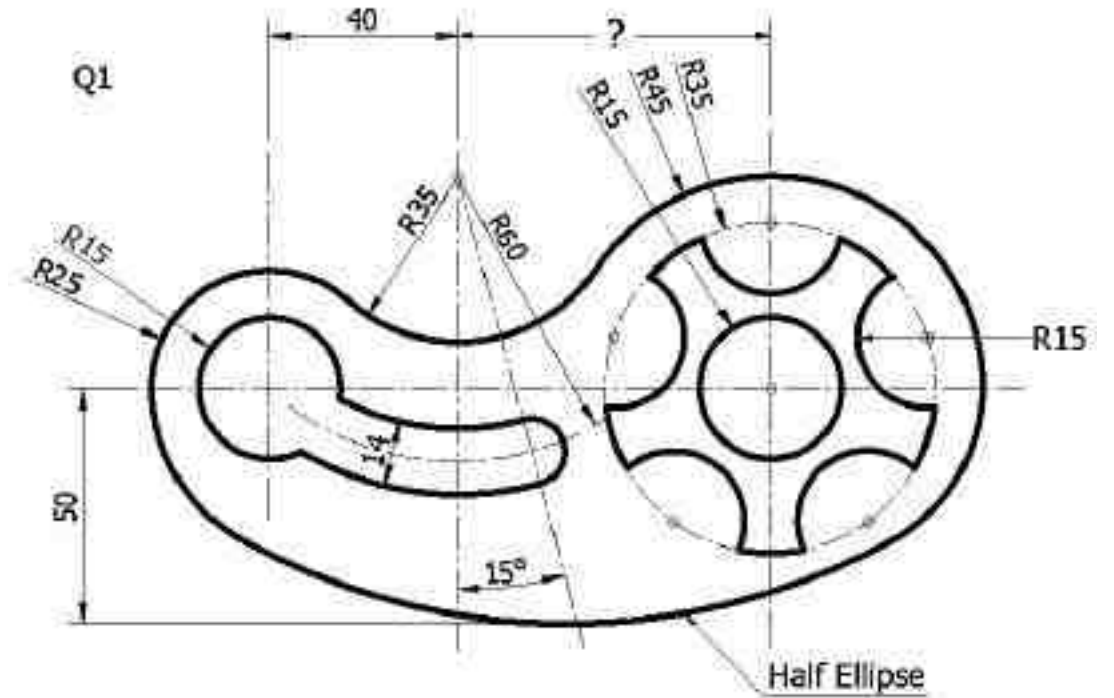


72

Q73-74: Redraw the following figures in Scale 1:1 Using Geometrical Operation

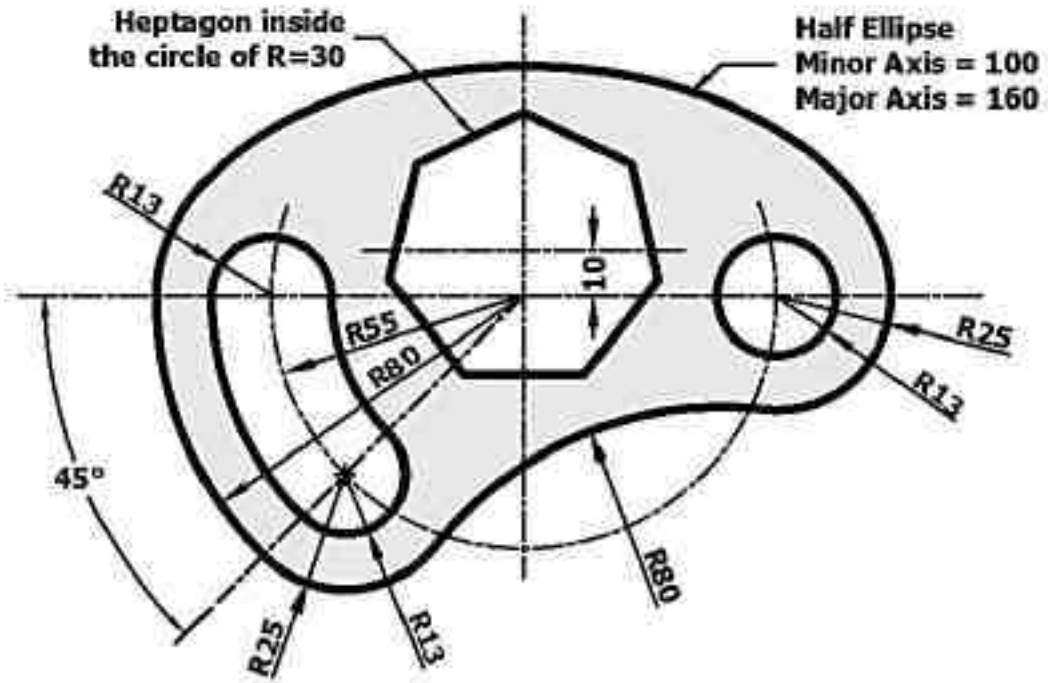


73

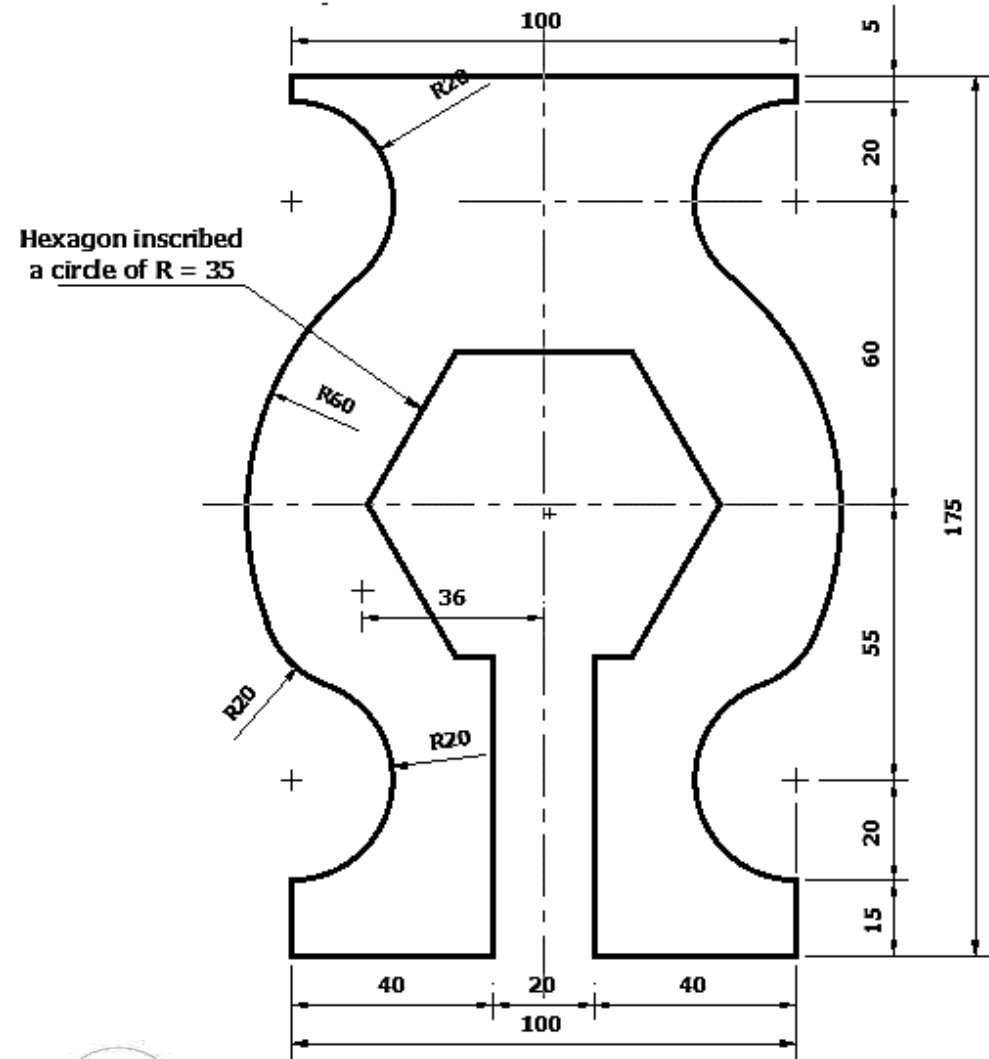


74

Q75-76: Redraw the following figures in Scale 1:1 Using Geometrical Operation

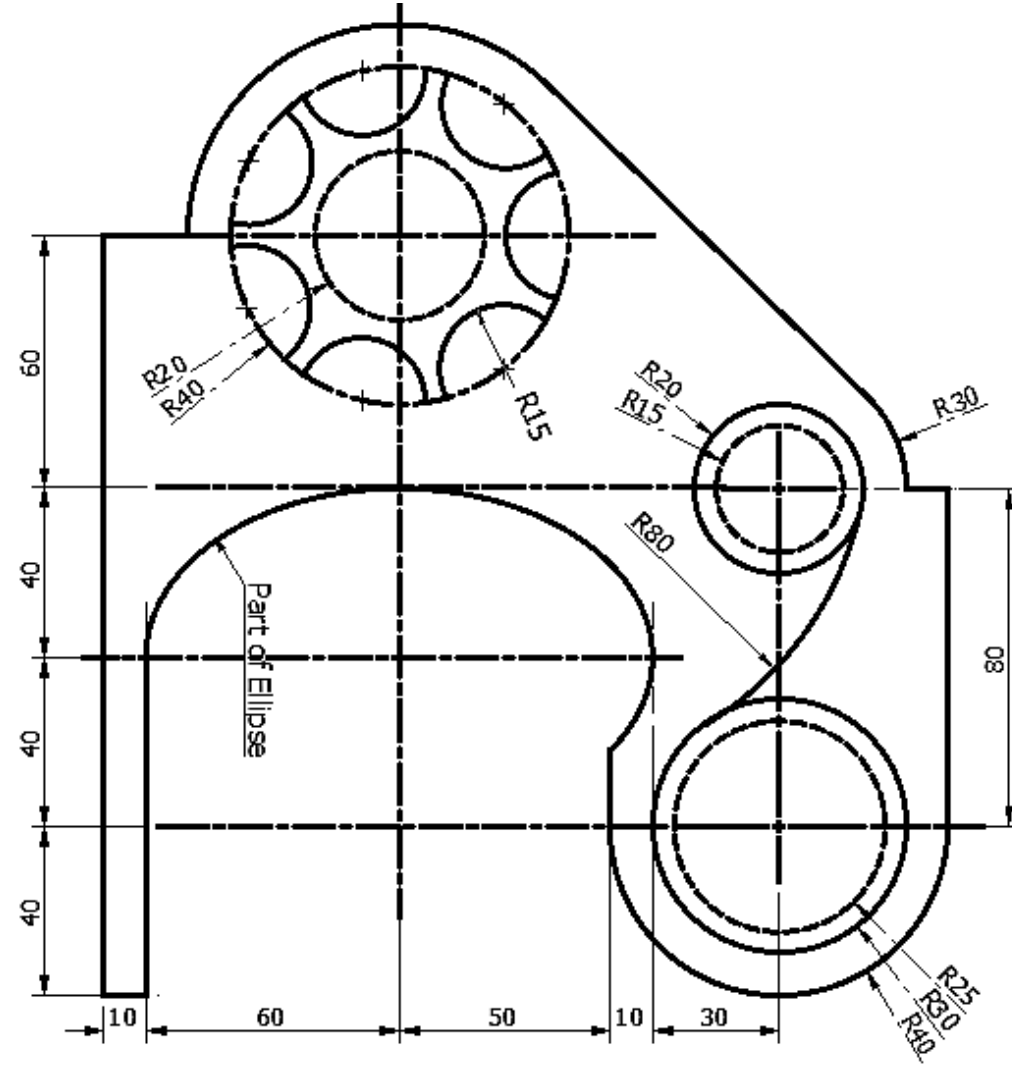


75



76

Q77: Redraw the following figures in Scale 1:1 Using Geometrical Operation



Q78: Redraw the following figures in Scale 1:20 Using Geometrical Operation

